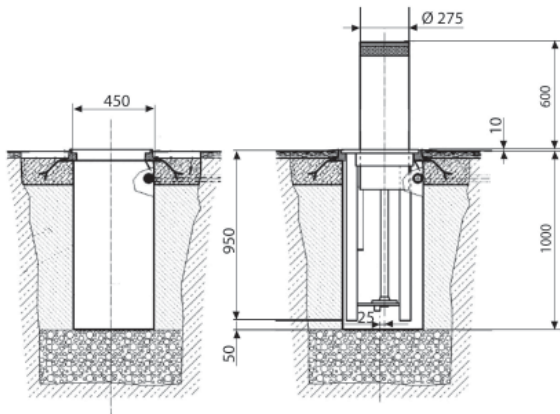


Dimensions



Technical features

	PILLAR	PILLAR INOX	PILLAR H	PILLAR H INOX	PILLAR F	PILLAR F INOX	PILLAR H F	PILLAR H F INOX
Control unit	PLR CB							
Power supply	230V	230V	230V	230V				
Rod material	FE37	AISI304	FE37	AISI304	FE37	AISI304	FE37	AISI304
Opening or closing time	6sec	6sec	8sec	8sec				
Impact resistance	20000J	20000J	20000J	20000J	20000J	20000J	20000J	20000J
Break-in proof	250000J	250000J	250000J	250000J	250000J	250000J	250000J	250000J
Locking	Hydraulic	Hydraulic	Hydraulic	Hydraulic				
Manual cycle	Lever key	Lever key	Lever key	Lever key				
Frequency of use	Intensive	Intensive	Intensive	Intensive				
Environmental conditions	from -40°C to 60°C							
Actuator weight	114kg	114kg	124kg	124kg	76kg	76kg	86kg	86kg

Description

Complete range of hydraulic and fixed automatic high security bollards for any spaces requiring maximum protection against the access of non-authorized vehicles.

The strengthened steel structure guarantees maximum resistance to breakthrough, even by heavy vehicles such as trucks.



High security construction, with reinforced rod 10 mm thick able to withstand extremely violent impact



Built-in hydraulic unit for compactness, ease of installation where there are no underground oil pipes, and zero leakage along oil lines



Highly configurable operator, for installation always in line with the customer's requirements



Summary table

Code	Name	Voltage	Rod height	Rod diameter	Legend
P970050 00002	TOWER	230V	700mm	275mm	A
P970052 00002	TOWER F		700mm	275mm	A
P970052 00003	TOWER F INOX		700mm	275mm	A
P970051 00002	TOWER H	230V	900mm	275mm	A
P970053 00002	TOWER H F		900mm	275mm	A
P970053 00003	TOWER H F INOX		900mm	275mm	A
P970051 00003	TOWER H INOX	230V	900mm	275mm	A
P970050 00003	TOWER INOX	230V	700mm	275mm	A