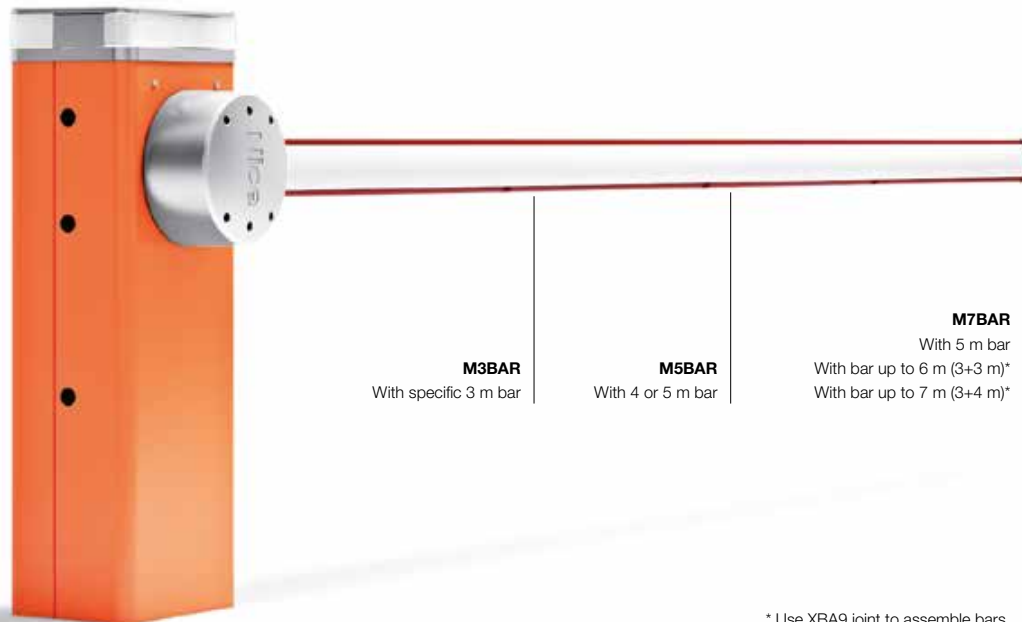


M-Bar

Electromechanical road barrier system for control of road access



For bars up from 3 to 7 m.

24 Vdc gear motor with built-in control unit.

Simplified programming: control unit with display and joystick to make setting operating parameters even faster.

The control unit has an output to power 24 Vdc devices and two inputs to control loop detectors with the LP21 and LP22 accessories.

Modular: bars are easily assembled using the aluminium expansion joint.

Possibility for intelligent control of two opposing automations thanks to “**master/slave**” function.

Strength and reliability: tough steel structure, new robust balancing springs guaranteed to 2,000,000 cycles and elliptical section shaft with high resistance to gusts of wind.

Optional flashing or traffic light can be integrated in cover.

Encoder movement control and electromechanical limit switches.

More comfort and safety in programming and maintenance phases: the separate enclosures for electronics and mechanics protect internal parts from potential risks.

Rapid and easy access to the control unit located in the upper section of the barrier body.

Simple fixture of the completely concealed photocells onto the specially designed seats on the barrier body.

More safety and reliability: obstacle detection and monitoring of motor absorption during automation movement.

Automatic fault diagnostics during operation with consequent signalling of fault type through specific flash sequences.

Provision for connection of latest generation optical and resistive sensitive edges (with 8.2 KOhm resistance).

Energy saving: the system sets to standby when not in use to save consumption.

No black out: with the optional batteries (PS224) housed inside the gear motor.

Release from side with metal key: can be installed on either side.

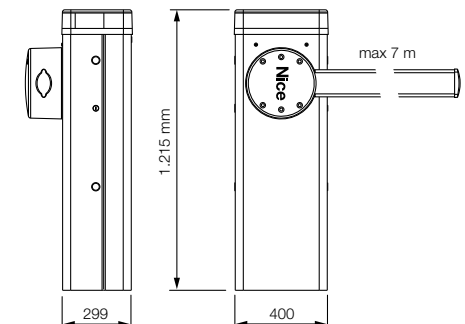
Nice **BiDirectional products** indicate the status of the automations and confirm correct reception of the command.

Discover the complete range of BiDirectional products on page 176.

Yubii is the new Nice ecosystem that connects all the automations in the home.

Discover all the benefits of the Yubii system on page 168.

DIMENSIONS



* Use XBA9 joint to assemble bars.

COMMON ACCESSORIES



CORE
Nice Wi-Fi-Radio Gateway.
Pc./Pack 1



IBT4N
Interface for connecting the O-View programming unit.
Pc./Pack 1



BIDI-ZWAVE
Plug-in communication interface between Z-Wave™ gateways and Nice motors.
Pc./Pack 1



IT4WIFI
Smart Wi-fi interface to manage gates and garage doors by smartphone (*).
Pc./Pack 1



BCU1
Spare control unit.
Pc./Pack 1



PS224
24 Vdc buffer battery.
Pc./Pack 1



LP21
Magnetic loop detector 1 channel.
Pc./Pack 1



LP22
Magnetic loop detector 2 channels.
Pc./Pack 1



SOLEMYO KIT
The solar power to automate gates, garage doors or barrier gates.
See page 229.

IN ORDER TO HAVE A FULLY FUNCTIONAL BARRIER GATE OPERATOR SYSTEM:

1. CHOOSE THE GEAR MOTOR

2. SELECT THE BAR

3. COMPLETE THE SYSTEM WITH THE OPTIONAL ACCESSORIES

TECHNICAL SPECIFICATIONS

With bar up to 3 m, irreversible 230 Vac, 24 Vdc motor, with foundation plate:

Code	Description
M3BAR	With steel case with protective cathaphoresis treatment and paint finish. For intensive use
M3BARI	With stainless steel case

With bar up to 4 or 5 m, irreversible 230 Vac, 24 Vdc motor, with foundation plate:

Code	Description
M5BAR	With steel case with protective cathaphoresis treatment and paint finish. For intensive use
M5BARI	With stainless steel case

With bar up to 5, 6 or 7 m, irreversible 230 Vac, 24 Vdc motor, with foundation plate:

Code	Description
M7BAR	With steel case with protective cathaphoresis treatment and paint finish
M7BARI	With stainless steel case

Code	M3BAR	M3BARI	M5BAR	M5BARI	M7BAR	M7BARI
ELECTRICAL DATA						
Power supply (Vac 50/60 Hz)				230		
Power supply (Vdc)				24		
Power (W)	150		110		110	
PERFORMANCE DATA						
Speed min.-max. (s)	1,5 ÷ 4		3 ÷ 6		6 ÷ 10	
Torque (Nm)	100		200		300	
Work cycle (cycles/hour)*	500		350		200	
DIMENSIONAL AND GENERAL DATA						
Protection level (IP)				54		
Working temp. (°C Min/Max)				-20 ÷ +55		
Dimensions (mm)				400x299x1215 h		
Weight (kg)				80		85

* Nominal torque

COMPATIBILITY TABLE WITH CONTROL SYSTEMS AND ACCESSORIES

Code	receiver		transmitter								photocells								flashing light					
	Built-in*	OXIBD	OXILR	ERA INTI	ERA ONE	ERA ONE BD	ERA ONE LR	ERA FLOR	NICEWAY	EPS	EPM	EPL	EPSB	EPMB	EPLB	EPMDW	EPMDR	F210	FT210	F210B	FT210B	ELAC	ELDC	WLT
M3BAR / M3BARI		•	•	•	•	•	•	•	•				•	•	•	•					•	•	•	
M5BAR / M5BARI		•	•	•	•	•	•	•	•				•	•	•	•					•	•	•	
M7BAR / M7BARI		•	•	•	•	•	•	•	•				•	•	•	•					•	•	•	

* Radio receiver incompatible with Opera system

* Not compatible with the Solemyo kit and PS224

Accessories M-Bar

COMMON ACCESSORIES



XBA13
Rubber impact protection strip. Length 1 m.
Pc./Pack 9



WA10
Red adhesive reflector strips.
Pc./Pack 24



XBA8
Integrabale traffic light.
Pc./Pack 1



XBA7
Integrabale flashing light.
Pc./Pack 1



XBA16
nchorage base with clamps.
Pc./Pack 1



WA11
Adjustable stand for bars.
Pc./Pack 1

BARS FOR M3BAR

ACCESSORIES FOR M3BAR



XBA15
White paint-finished aluminium bar 69x92x3150 mm.
Pc./Pack 1



XBA4
Indicator lights for click fixture on upper or lower side of bar. Length 4 m.
Pc./Pack 1



XBA10
Pivot joint for bars up to 4 m.
Pc./Pack 1



XBA11
Joint for bars (from 1950 mm to 2400 mm).
Pc./Pack 1

BARS FOR M5BAR



XBA14
White paint-finished aluminium bar 69x92x4150 mm.

Pc./Pack 1



XBA5
White paint-finished aluminium bar 69x92x5150 mm.

Pc./Pack 1

ACCESSORIES FOR M5BAR



XBA4
Indicator lights for click fixture on upper or lower side of bar. Length 4 m.

Pc./Pack 1



XBA6
Indicator lights for click fixture on upper or lower side of bar. Length 6 m.

Pc./Pack 1



XBA10
Pivot joint for bars up to 4 m.

Pc./Pack 1



XBA11
Joint for bars (from 1950 mm to 2400 mm).

Pc./Pack 1



WA12
Mobile stand for bars - new fully reinforced version.

Pc./Pack 1



WA13
Aluminium rack up to 2 m.

Pc./Pack 1

BARS FOR M7BAR



XBA15
White paint-finished aluminium bar 69x92x3150 mm.

Pc./Pack 1



XBA14
White paint-finished aluminium bar 69x92x4150 mm.

Pc./Pack 1



XBA5
White paint-finished aluminium bar 69x92x5150 mm.

Pc./Pack 1



XBA9
Expansion joint.

Pc./Pack 1



XBA6
Indicator lights for click fixture on upper or lower side of bar. Length 6 m.

Pc./Pack 1



XBA18
Indicator lights for click fixture on upper or lower side of bar. Length 8 m.

Pc./Pack 1



WA12
Mobile stand for bars - new fully reinforced version.

Pc./Pack 1



WA13
Aluminium rack up to 2 m.

Pc./Pack 1