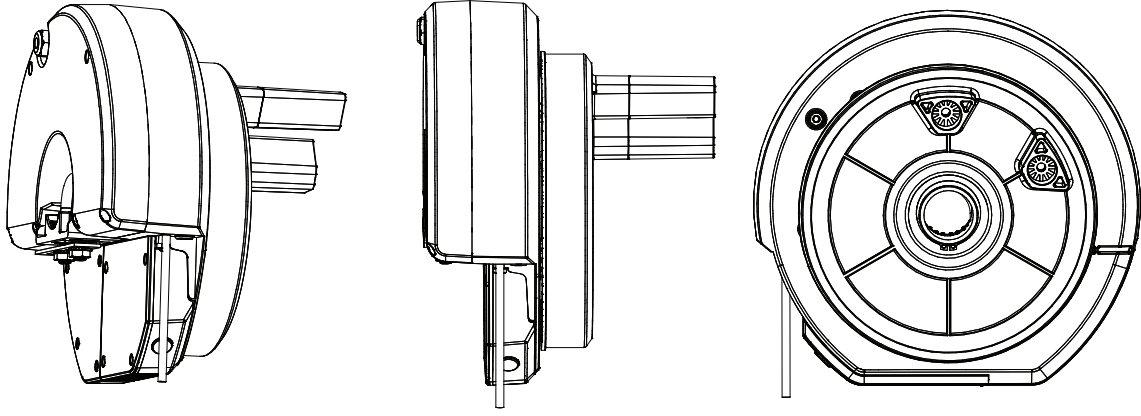


LiftMaster®



Installation and Operating Instructions Rolling Garage Door Opener LM555EVGBSA

Engineered and designed in Australia

تعليمات تركيب وتشغيل جهاز فتح باب لارول لجرجا طراز LM555EVGBSA

هندسة وتصميم مجموعة تشامبرلين (Chamberlain Group, Inc)، الولايات المتحدة الأمريكية

WeatherDrive

Chamberlain Australia Pty Ltd
PO BOX 1446
Lane Cove NSW 1595
AUSTRALIA

www.liftmaster-me.com

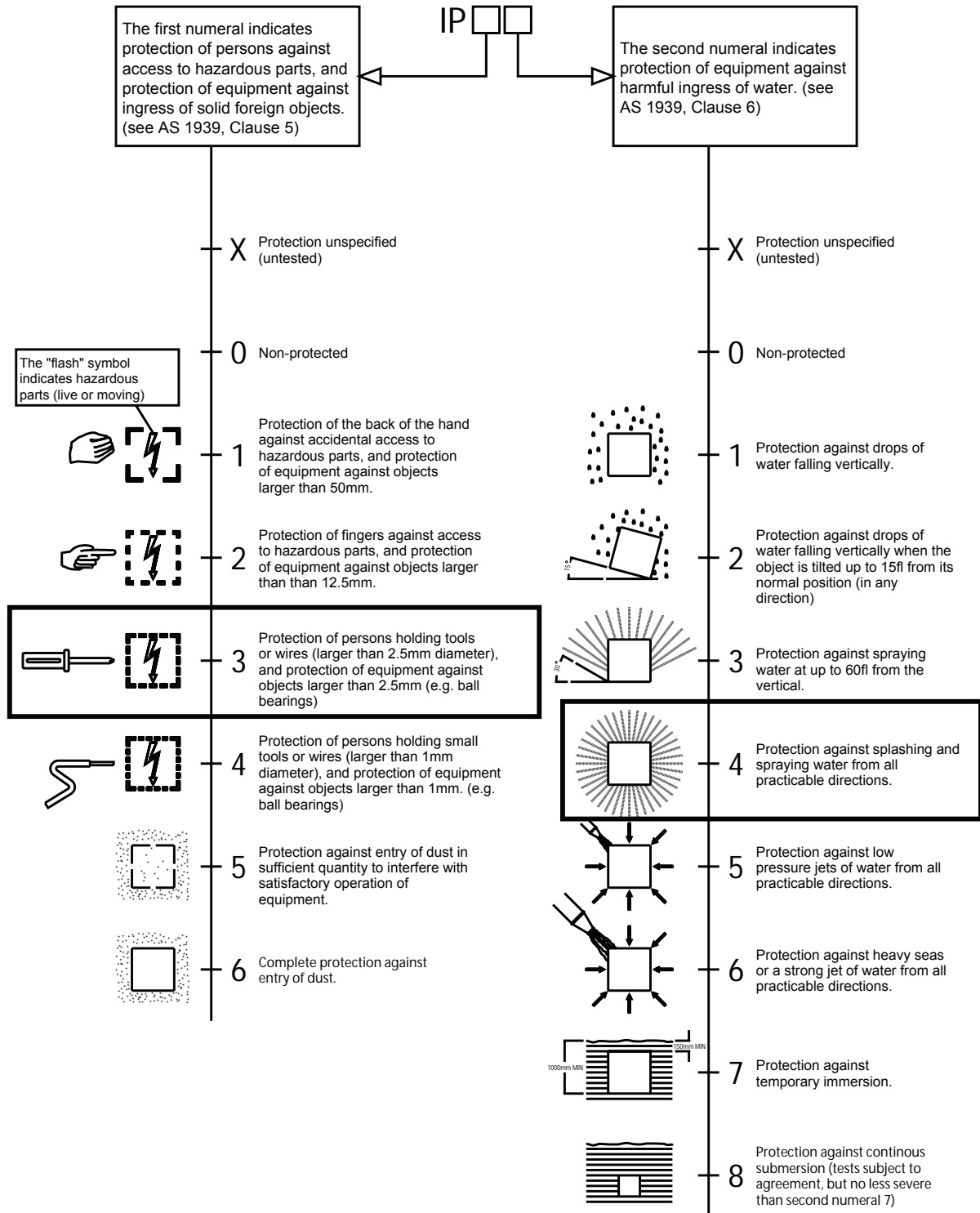
Keep these instructions
for future reference

احتفظ بهذه التعليمات للرجوع إليها
في المستقبل

IP Rating Chart

Protection of persons and protection of equipment indicated by the IP code.

Protection provided by enclosures for electrical equipment is indicated by the IP codes two:
CHARACTERISTIC NUMERALS



IMPORTANT



** This Liftmaster Unit is rated to IP34, however, to ensure the best operation of the opener the installer should ensure that it is protected from the elements. Wherever possible it should not be exposed to driving water or rain. It must not be immersed in water or sprayed directly by a garden hose or pressure cleaner.*

START BY READING THESE IMPORTANT SAFETY INSTRUCTIONS

WARNING - Important safety instructions. It is important for the safety of persons to follow all instructions. Save these instructions.

- Failure to comply with the following instructions may result in serious personal injury or property damage.
- Read and follow all instructions carefully.
- The garage door opener is designed and tested to offer safe service provided it is installed and operated in strict accordance with the instructions in this manual.



These safety alert symbols mean **WARNING** : A possible risk to personal safety or property damage exists.



Keep garage door balanced. Do not let the garage door opener compensate for a binding or sticking garage door. Sticking, binding or unbalanced doors must be repaired before installing this opener.



Do not wear rings, watches or loose clothing while installing or servicing a garage door opener. Wear gloves and suitable protective clothing where appropriate.



Frequently examine the door installation, in particular cable, springs and mountings for signs of wear, damage or imbalance. Do not use if repair or adjustment is needed since springs and hardware are under extreme tension and a fault can cause serious personal injury.



To avoid serious personal from entanglement, **remove all ropes, chains and locks connected the garage to the garage door** before installing the door opener.



Installation and wiring must be in compliance with your local building and electrical codes.



The safety reverse system test is very important. Your garage door **MUST** reverse on contact with a 40 mm obstacle placed on the floor. Failure to properly adjust the opener may result in serious personal injury from a closing garage door. **Repeat the test once a month and make any necessary adjustments.**



This appliance is not intended for use by persons (including children) with reduced physical, sensory or mental capabilities, or lack of experience and knowledge, unless they have been given supervision or instruction concerning use of the appliance by a person responsible for their safety. Children should be supervised to ensure that they do not play with the appliance.



Watch the moving door and keep people away until the door is completely opened or closed.



Automatic Drive - Keep away from the area of the door as it may operate unexpectedly.



The opener must not be used on a wicket door (door within a door).



The Protector System™ (IR Beams) must be used for all installations where the closing force as measured on the bottom of the door is over 400 N (40 kgf). Excessive force will interfere with the proper operation of the safety reverse system or damage the garage door.



After installation, ensure that the parts of the door do not extend over public footpaths or roads.



Install the wireless wall control (or any additional wall control) **in a location where the garage door is visible away from moving parts, at a height of at least 1.5 m and out of the reach of children. Do not allow children to play with door controls.**

Keep remote controls away from children.

Serious personal injury from a closing garage door may result from misuse of the opener.



Permanently fasten the Warning Labels in prominent places, adjacent to wall controls and manual release mechanisms as a reminder of safe operating procedures.



Activate opener only when the door is in full view, free of obstructions and the opener is properly adjusted. No one should enter or leave the garage while the door is in motion.



Do not allow children to play near the door, or with door controls.



If the supply cord is damaged, it must be replaced by the manufacturer, its service agent or similarly qualified persons in order to avoid hazard.



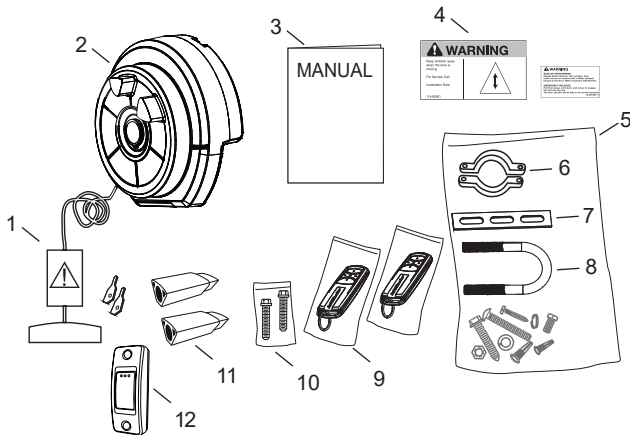
Disconnect the power supply to the garage door opener before making repair, removing covers or carrying out other maintenance.

NOTE: If your garage has no service entrance door, a 1702EV outside quick release must be installed. This accessory allows manual operation of the garage door from outside in case of power failure.

CONTENTS	PAGE		
SAFETY INSTRUCTIONS	3	INSTALL THE PROTECTOR	
CARTON INVENTORY	4	SYSTEM	12
TOOLS REQUIRED	4	INSTALLING WIRELESS WALL	
DOOR REQUIREMENTS	4	BUTTON (OPTIONAL)	13
PREPARE & TEST THE DOOR	5	TRAVEL SPEED	13
CONTROL PANEL	6	AUDIBLE BEEP	14
MANUAL RELEASE KEY		CONTROL PANEL E-LOCK	14
LOCKABLE	7	PARTIAL OPENING	15
PINNING THE DOOR	8	WIRELESS PROGRAMMING	16
INSTALLATION PROCEDURE	9	OPERATING YOUR OPENER	17
ADJUSTMENT & TESTING	10-11	MAINTAINING YOUR OPENER	17
		CARE OF YOUR OPENER	17
		SPECIFICATION	17
		ACCESSORIES & WIRING	18
		TROUBLESHOOTING	19
		DIAGNOSTIC CHART	20

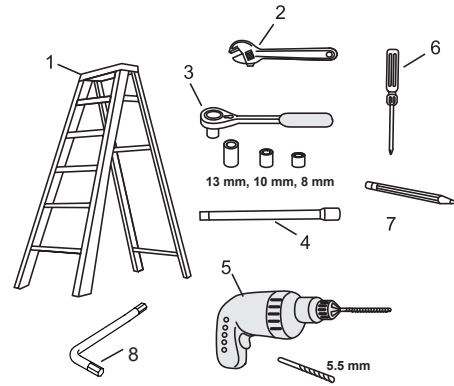
1 CARTON INVENTORY

1. Release handle, cord, keys and risk of entrapment card
2. Opener
3. Manual (this document)
4. Warning label and risk of entrapment label
5. Hardwarebag including...
6. Stop collar
7. Clamp plate
8. Clamp bracket
9. Transmitters
10. Screws for drive leg extensions
11. Drive leg extensions
12. Wired push button



2 TOOLS REQUIRED

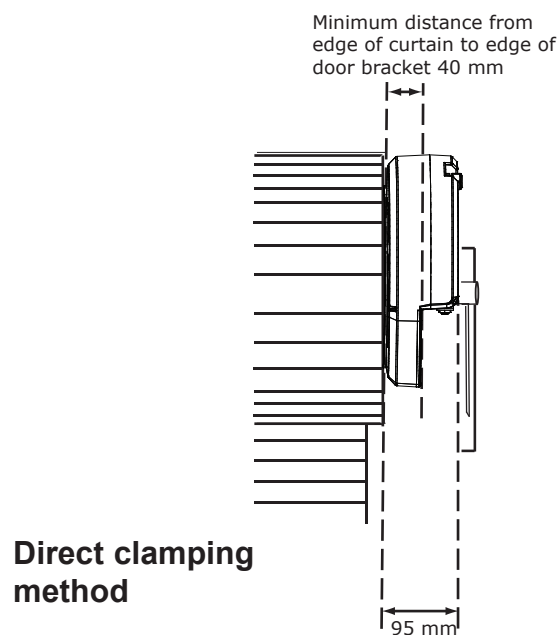
1. Ladder
2. Adjustable wrench for U-bolts already installed on the door
3. 8 mm socket, 10 mm socket and 13 mm extended socket and socket wrench
4. 300 mm socket extension (for minimum side-room installations)
5. Drill and 5.5 mm drill bit
6. Philips-head screwdriver
7. Marker pen
8. 8 mm allen key
9. Door stand or similar device to safely support door (not shown)



3 DOOR REQUIREMENTS

The maximum allowable door height is 5.5 m with a maximum curtain area of 15.0 m²*. The door must be spring balanced.

*The Protector System™ (IR Beams) must be installed if the force at the edge of the closing door exceeds 400 N (40 kgf). Door axle diameter must not exceed 35 mm.

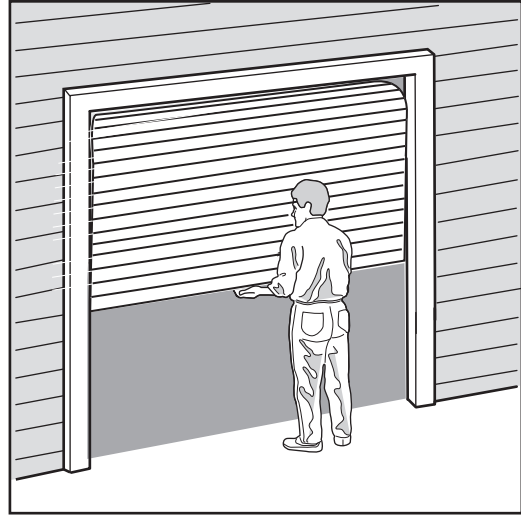


Ensure that there is at least 40 mm from the edge of the curtain to the edge of the bracket. If the roller door drum is on the edge of the curtain or is a smaller diameter, additional clearance may be required.

4 TESTING THE DOOR

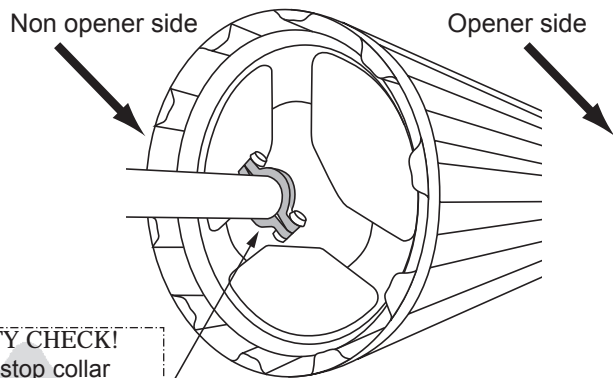
Complete the following test to ensure your door is well balanced, and not sticking or binding:

- Disable all locks and remove any ropes connected to the garage door.
- Lift the door to about halfway and then release it. The door should remain spring balanced.
- Raise and lower the door to determine if there are any sticking or binding points (15 kgf is the absolute maximum allowable to raise or lower the door in any position).
- If your door does not hold in place or the door binds or sticks, call a qualified door technician before installing the opener.
- Depending on the door performance, a weight bar at the bottom edge of the door might be required. Use a metal bottom edge, which serves as a weight bar.



5 INSTALLING THE STOP COLLAR

- Install the stop collar on the opposite end to where the opener is to be installed.
- Fit the stop collar hard against the boss of the door drum. Ensure the U-bolt holding the door shaft to the door bracket is tightly secured.



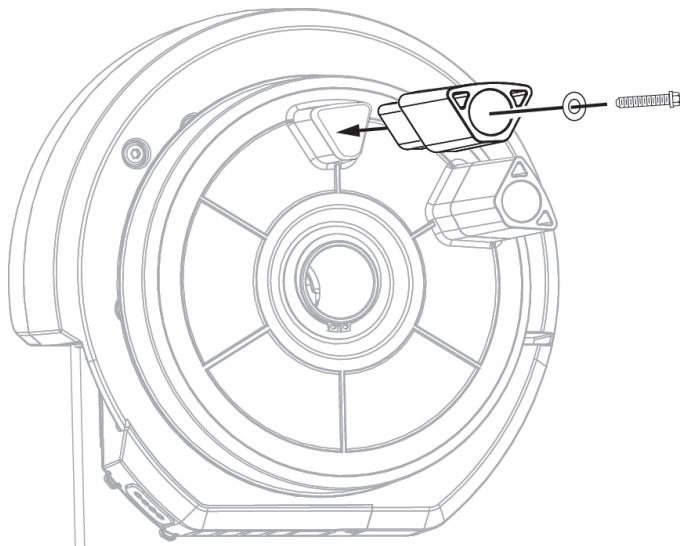
SAFETY CHECK!
Is the stop collar installed?
YES: proceed to the next step
NO: install the stop collar before proceeding

6 INSTALLING DRIVE LEG EXTENSIONS

Insert the drive leg extensions into the drive legs and fix them only using a socket wrench with a 10 mm socket and the screws provided.



Never use a hammer inserting the drive leg extensions. This causes damage to the opener.



7 CONTROL PANEL

1. **Terminal Block:** used for external accessories (see chart below).

No	Function	Colour	Polarity	Comment
1	Push button	Red	+ve	Dry contact input for push button wired wall controls:
2	Common	White	-ve	Common terminal for push button, IR Beams & accessory power:
3	IR Beams	Grey	+ve	IR Beam Input: (pulsing type only) not active in sleeping mode
4	Accessory Power	Green	+ve	24v dc 50 mA accessory output available for a universal receiver

NOTE: The terminal block is weather protected by a rubber grommet. When using external wiring, the cable holes can be punched through with a small screwdriver. These holes should be sealed with silicon sealant in order to maintain the weather proof rating.

2. **DN Button:** used to drive door DOWN.

3. **UP Button:** used to drive door UP.

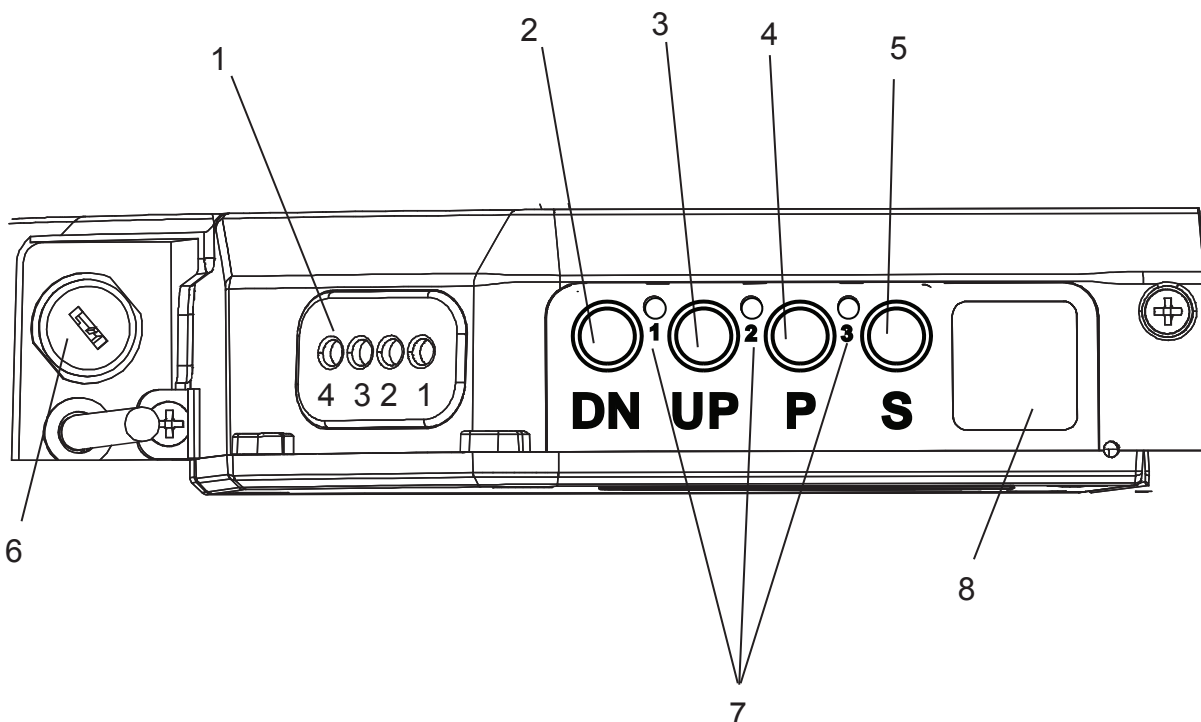
4. **P Button:** used to "PROGRAM" the DOOR LIMITS.

5. **S Button:** used to "SAVE" the "REMOTE CONTROLS".

6. **Key Lock:** used to lock the engage/disengage mechanism for commercial applications.

7. **LEDs:** 1. Program DOWN, and Diagnostic code indicator Number 1.
2. Program UP indicator.
3. Diagnostic code indicator Number 2.

8. **Courtesy Light:** turns on during operation and automatically turns off after 3 minutes.



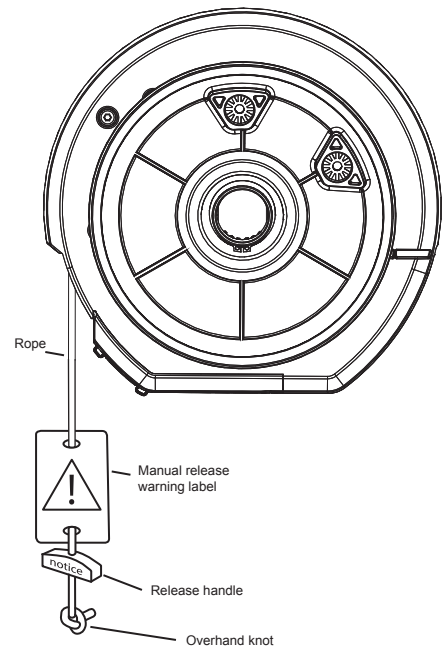
8 THE RELEASE HANDLE & CORD



DO NOT DISENGAGE THE OPENER TO MANUAL OPERATION WITH CHILDREN , PERSONS OR OTHER OBJECTS INCLUDING MOTOR VEHICLES WITHIN THE DOORWAY : (The door is under significant tension and if the door has developed a fault or incorrect tension, it may be unsafe and may fall rapidly.)

The manual release mechanism enables the door to be manually operated during power outages or in an emergency.

The RED Manual Release cord is preassembled to the opener. When the opener is installed the handle should be no higher than 1.8 metres from the floor. The cord may need to be extended.



9 OPERATING THE MANUAL RELEASE

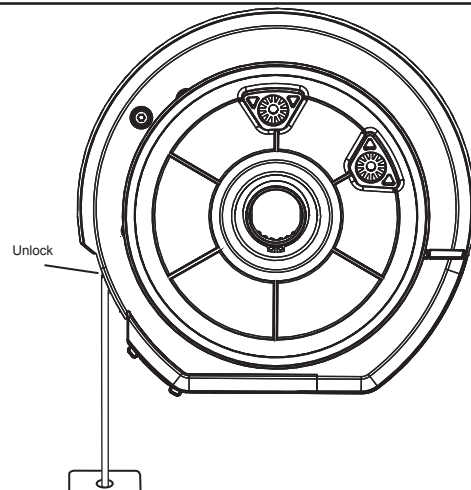
NOTE: Ensure the Key Lockable Release is not locked.

To disengage the opener

Pull the release cord down firmly, (opener will make a clicking noise).

To re-engage the opener

Pull the release cord down firmly, (opener will make a clicking noise).



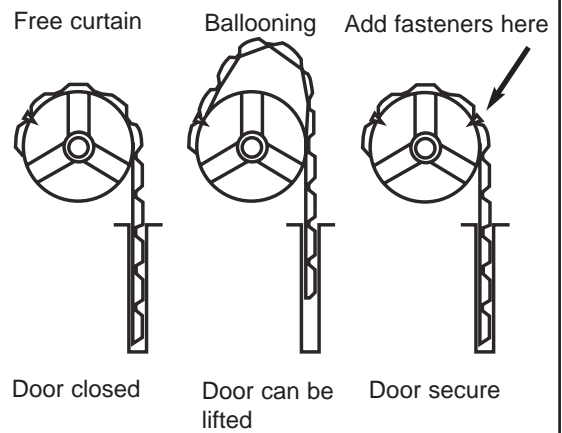
Disable all locks and remove any ropes connected to the garage door.

Take care when operating the manual release as an open door may fall rapidly due to weak or broken springs, or being out of balance.

10 PINNING THE DOOR

Note: A ballooning door may delay the safety reversal response and can compromise garage door security.

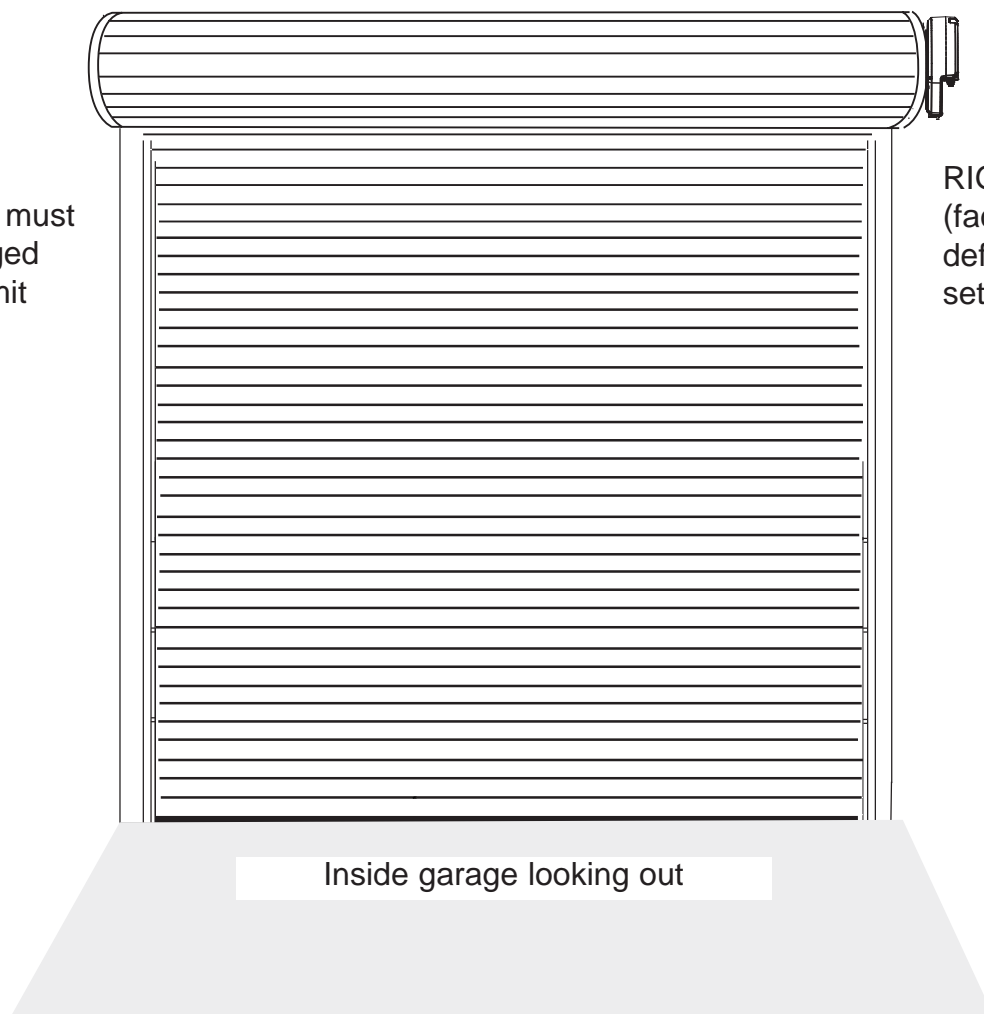
- To remedy any ballooning place self tapping metal screws or rivets where the curtain leaves the roll. Secure these through the curtain into the drum wheel at each end of the roll.
- After determining the correct fastener location as shown, lift the door approximately half a turn from the closed position to allow access for drilling.




11 LEFT / RIGHT HAND INSTALLATION

LEFT
(handing must be changed during limit setting)

RIGHT
(factory default setting)



12 INSTALLATION PROCEDURE

 **Do not allow people to walk under or around the door during the installation process as serious injury can occur.**

NOTE: The opener can be installed on either side of the door. The following instructions are for **RIGHT HAND INSTALLATIONS** (as illustrated i.e. inside the garage looking out). For left hand installations, reverse the instruction terminology (eg LEFT for RIGHT etc).

Preparation:

- Place the opener in manual release mode.
- Open the roller door fully. For safety, tie a rope around the door.
- Ensure the door axle U-BOLT and door mounting bracket on the left hand side (non opener side) are securely fastened.
- Support the door with a door stand or similar device to safely support the door.
- Mark the position of the door shaft on the right hand door bracket (for reassembly purposes).
- While the door is supported, remove the right hand axle U-Bolt and door mounting bracket from the wall.

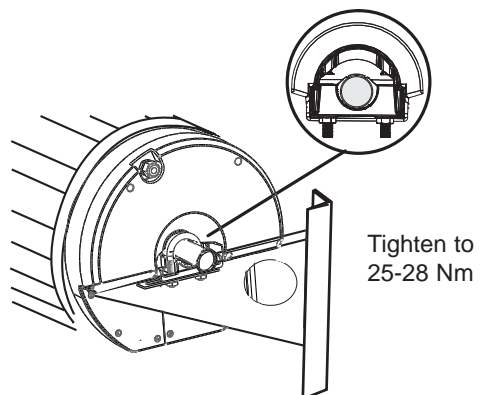
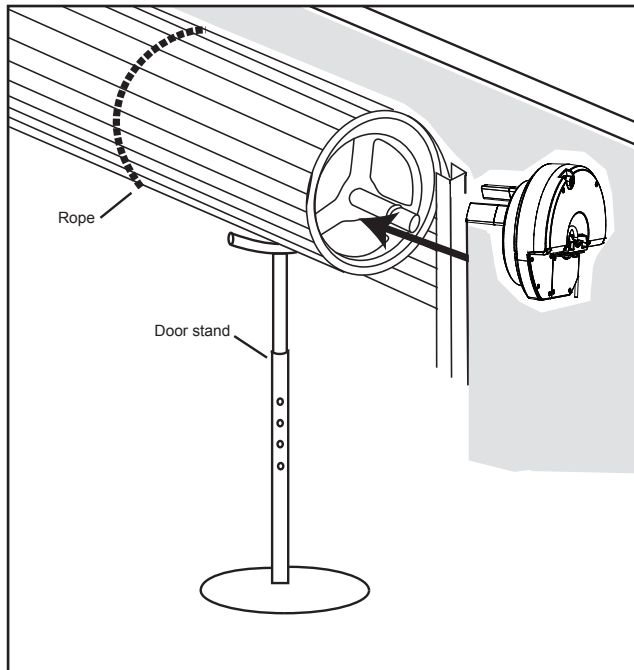
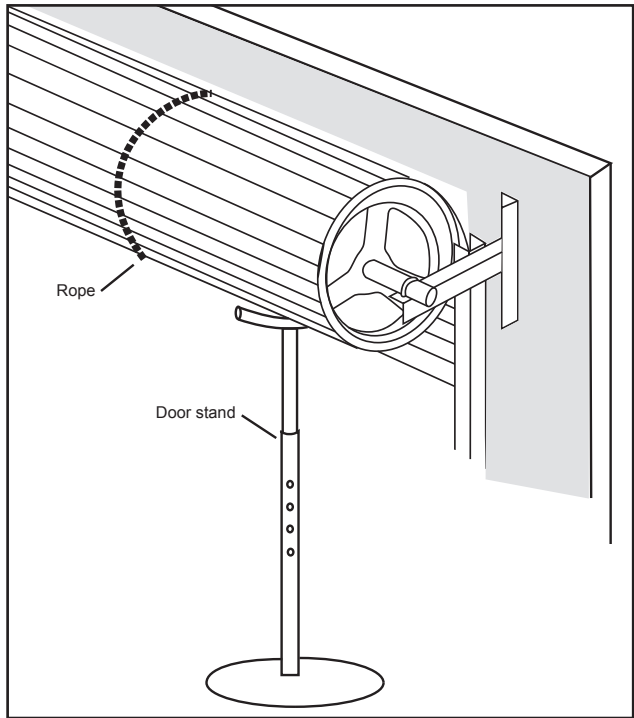
Install the opener:

- Slide the opener over the door axle and engage the drive legs into the door drum wheel, either side of a spoke.
- Refit the door mounting bracket to the wall.
- Clamp the opener on the door axle and door bracket in the marked position using the clamp assembly supplied (tighten to 25 – 28 Nm).
- Remove all ropes and the support stand.
- Check the operation of the door in manual mode by raising and lowering by hand. It should operate smoothly without sticking or binding. The disengage handle should already be attached less than 1.8m above the floor.



Connect the power:

- Position the power cable away from the door curtain and any moving parts.
- Plug the opener into a nearby power point and turn ON.
- The opener Light will turn ON for approx. 2.5 minutes.



13 SETTING THE LIMITS FOR RIGHT OR LEFT HAND OPERATION AND FORCE

Travel Limits set how far your door goes up and down. Your opener must also be configured for right or left hand installation, if not the door will rotate in the reverse direction.

Program Buttons: the Control Panel diagram in section 7 identifies the Control Buttons and LED layout.

Audible BEEP: An audible "BEEP" also features with each button press. This feature can be turned OFF.

Courtesy light: during the programming sequence, the courtesy light will flash at half strength.

NOTE: The WeatherDrive LM555EVGBSA opener is factory configured for right hand installation.



The opener will operate during this procedure. Make sure the door is clear of obstruction. Ensure your hands are away from any moving parts before activating the door.

Setting the Right or Left Hand Operation:

Refer to the diagrams on the right for guidance. Ensure the door is positioned halfway and the opener is engaged. Turn the opener Power **ON**, the courtesy light will turn ON for 2.5 minutes, and then turn OFF.

1. Press the "P" button for 5 seconds until LED 1 or 2 and 3 starts flashing, then release "P". For Right Hand setting, LED 2 will flash, and for Left Hand setting LED 1 will flash.
2. To change to the opposite setting, simply press the yellow "S" button, and the opposite LED will flash.
3. When the correct hand setting is selected, Press and Release the "P" program button to accept this setting. (continue)

Setting the Door Limits:

4. Press and hold the "UP" button until the door reaches the desired OPEN position. LE 2 flashes. (You can toggle between the UP and DN buttons to move the door to the correct position. Make sure there is enough room for your vehicle to pass under)
5. Press and release the black "P" program button to accept this setting.
6. Press and hold the "DN" button until the door reaches the desired CLOSED position. LED 1 flashes. (You can toggle between the UP and DN buttons to move the door to the correct position.)
7. Press and release the black "P" program button to accept this setting. (LED 2 should flash to indicate you are now in Force Learn mode) (continue)

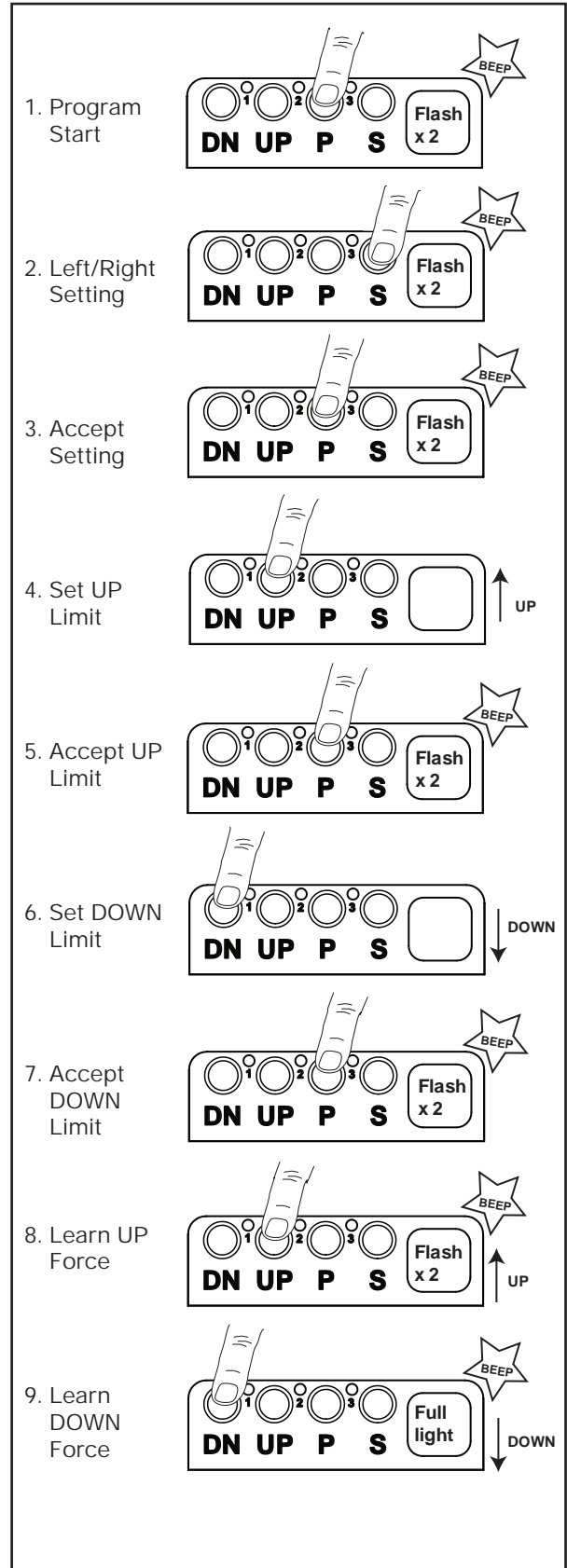
Setting the Force Automatically:

8. Press and release the "UP" button. The door will travel to the OPEN position with LED 2 flashing. LED 1 starts flashing when OPEN position is reached.
9. Press and release the "DN" button. The door will travel to the CLOSED position with LED 1 flashing. When fully closed, LED 1 will stop flashing and the courtesy light will change to full power.

(This process is now complete)

Setting the Force manually: (Only perform if Limits are already set)

- Start with the door fully CLOSED.
- Press the "S" button twice to enter into force learn mode. The Courtesy light will go to half strength, and Led 2 will flash.
- Press and release the "UP" button. The door will travel to the OPEN position, then LED 1 will flash.
- Press and release the "DN" button. The door will travel to the CLOSED position, then LED 1 will stop and the courtesy light will change to full power. **(This process is now complete)**

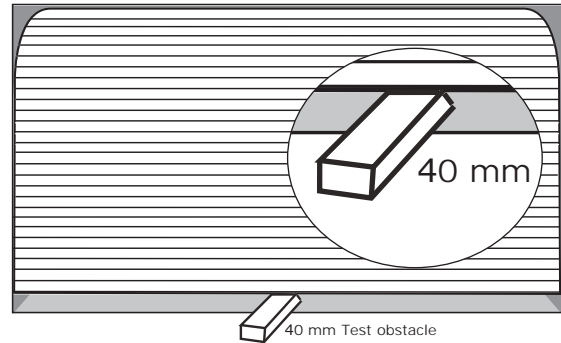


14 TESTING THE SAFETY REVERSE SYSTEM

! The safety reverse system test is important. The garage door must reverse on contact with a 40 mm obstacle laid flat on the floor. Failure to properly adjust the opener may result in serious personal injury from a closing garage door.

Operate the door in the down direction. The door must reverse upon contact with the obstacle. If the door stops on the obstacle, remove obstacle and repeat limit and force setting (refer section 12).

Repeat test of the safety reverse system.



15 FIXING WARNING LABELS

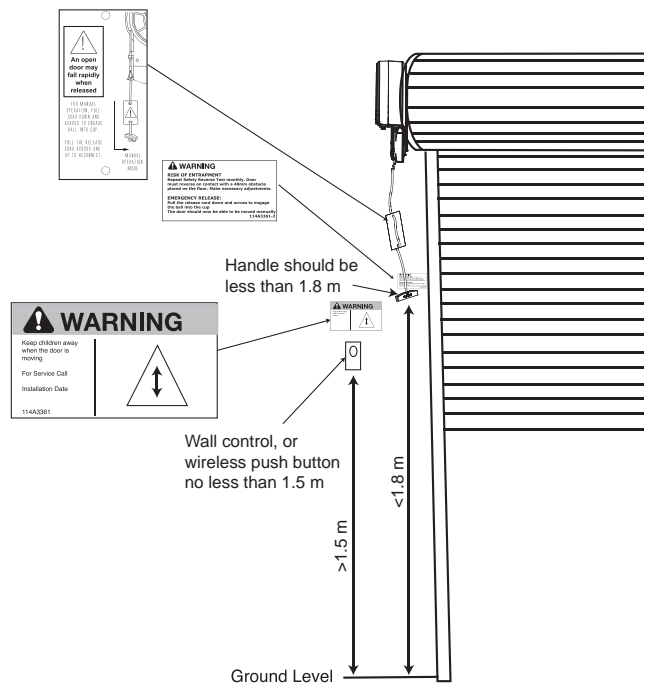
Once you have completed your installation and successfully carried out the safety reverse system test (outlined above), install the warning labels provided with your opener as shown.

The **risk of entrapment label** must be installed adjacent to the release handle at a height of less than 1.8 m from the floor.

The **WARNING** label must be installed in a prominent place near any fixed control.

Ensure the manual release instruction card is attached to the rope as detailed in section 8.

Read the safety instructions (page 3) for further details concerning safety.



STANDARD INSTALLATION COMPLETE

SAFETY FIRST!



Whilst Chamberlain have engineered safety features into your garage door opener, we urge you to consider fitting IR Beams to your new garage door opener. In many countries these devices are compulsory to assist in preventing serious injury or property damage. For your own peace of mind and the safety of others please install this inexpensive safety device.

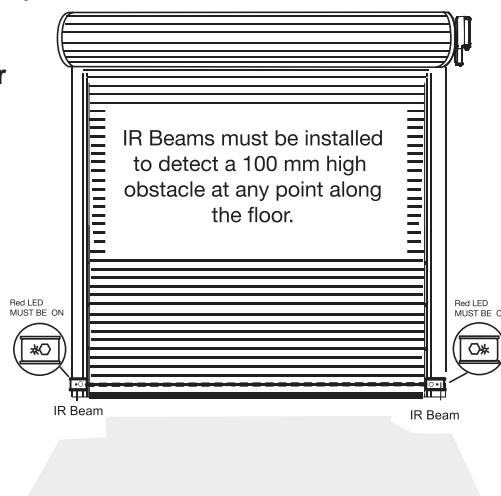
16 INSTALL THE PROTECTOR SYSTEM™ (IR BEAMS) OPTIONAL ACCESSORY

NOTE: This accessory must be used for all installations where the closing force as measured on the bottom of the door is over 400 N (40 kgf).

After the opener has been installed and adjusted, the **Protector System™** accessory can be installed. Instructions are included with this accessory.

The optional Protector System™ uses an invisible beam which, when broken by an obstruction, causes a closing door to open and prevents an open door from closing.

Liftmaster **STRONGLY RECOMMENDS** that the Protector System™ be installed on all garage door openers, **ESPECIALLY** for homeowners with young children.



ENABLING THE PROTECTOR SYSTEM:

- Switch off opener from mains.
- Connect the IR Beam wiring to the opener and turn ON. (The Protector System will automatically enable once they are connected and will now operate in a FAIL SAFE mode.)

DISENABLING THE PROTECTOR SYSTEM:

If the Protector System is installed and needs to be removed the opener will need to be reprogrammed. Perform the power ON/OFF sequence as follows.

- Remove the IR wires from the opener.
- Turn the mains power OFF for 5 seconds.
- Turn the power ON for 5 seconds.
- Turn the power OFF for 5 seconds.
- Turn the power ON and check the opener operates OK without the IR Beams.

Timer to close feature (TTC)

 **Auto close is NOT recommended for households with young children.**

TIMER TO CLOSE feature: (TCC) 10 to 180 seconds.

NOTE: IR beams must be installed before TTC will operate.

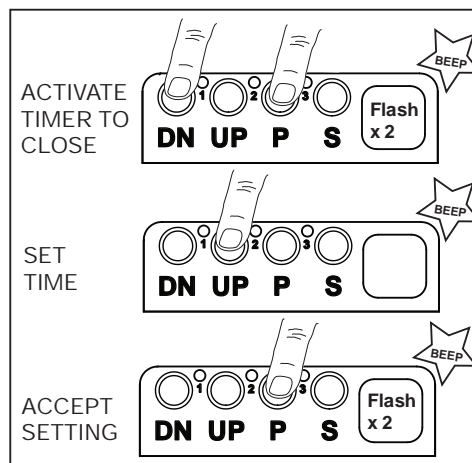
The Timer to Close feature allows the door to automatically close after a specified time period. During the OPEN door waiting period, the courtesy light will flash continuously. If the door encounters an obstruction while closing, the opener will return to the OPEN position and the waiting period will begin again.


To activate the Timer to Close.

- Start with IRs installed and the door fully CLOSED.
- Press and Hold both “P” and “DN” buttons for 3 seconds. When the Courtesy light flashes “TWICE”, release both buttons.
- Press the “UP” for each 10 second interval required for Timer to Close. A “BEEP” will register for each press. “DN” button will reduce the count if needed.
- Press and release the “P” button to accept this setting.

To Deactivate the Timer to Close.

- Start with the door fully CLOSED.
- Press and Hold both “P” and “DN” buttons for 3 seconds. When the Courtesy light flashes “TWICE”, release both buttons.
- Press and release the “P” button to accept this setting.



 **WARNING: Automatic door - The door may operate unexpectedly, therefore do not allow anything to stay in the path of the door.**

17 INSTALLING YOUR 128EV WIRELESS WALL BUTTON

Optional Accessory (not included)



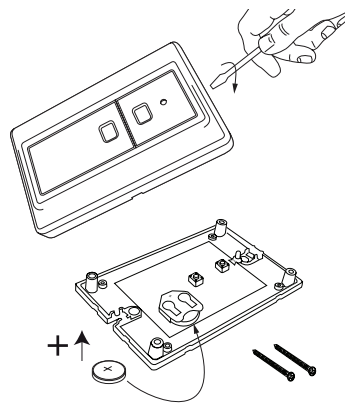
Disconnect power to the opener whilst installing this accessory to prevent accidental activation. Locate minimum 1.5 m above the floor

To install:

- Carefully pry open the 128EV and locate the two screws for mounting.
- Attach to the wall using the two screws and wall anchors provided if mounting to a plaster wall. If using a recessed wall box do not use anchors.

NOTE: Do not overtighten screws.

NOTE: The wall control supplied with your opener should be pre-programmed by the factory. If adding a new wall control, program into the opener before mounting the unit as detailed in the “Wireless Programming” section.



18 TRAVEL SPEED (OPTIONAL)

There are two travel speeds available for this opener.
(Regular and Slow speed)

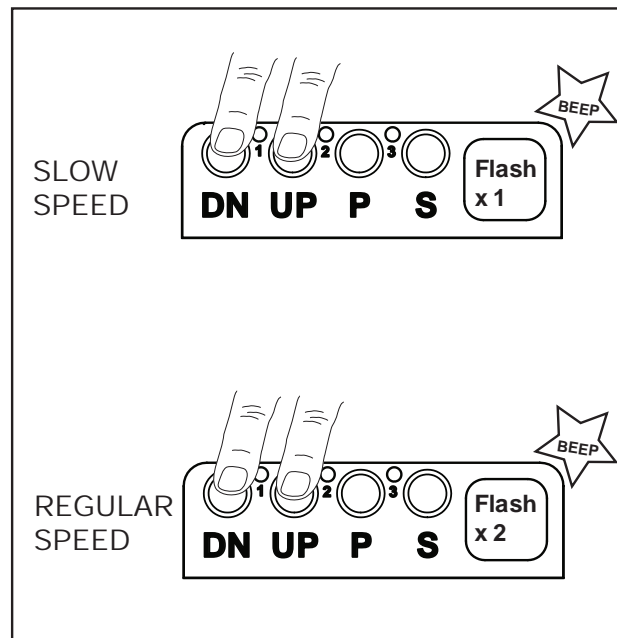
The WeatherDrive LM555EVGBSA has been factory set for regular speed.

Setting the SLOW SPEED:

- Start with the door fully OPEN.
- Press and Hold both “UP” and “DN” buttons for 3 seconds.
- The Courtesy light will flash “ONCE”. Release both buttons.

To return to REGULAR SPEED:

- Start with the door fully OPEN.
- Press and Hold both “UP” and “DN” buttons for 3 seconds.
- The Courtesy light will flash “TWICE”. Release both Buttons.



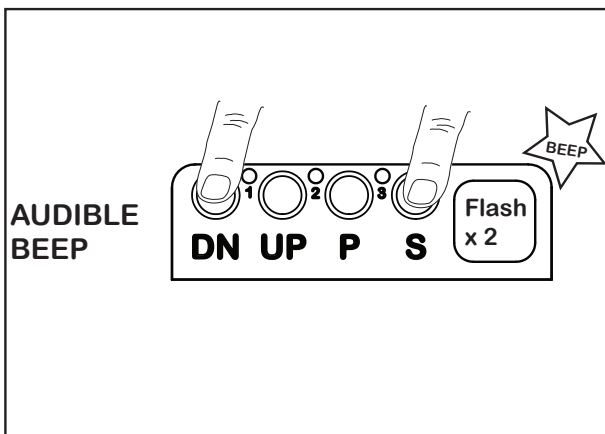
19 AUDIBLE BEEP (OPTIONAL)

The WeatherDrive LM550EV has been factory set for Audible "BEEP".

The Audible beep can be turned OFF by using the following method.

- Start with the door fully CLOSED.
- Press and Hold both "S" and "DN" buttons for 3 seconds
- The Courtesy light will flash "TWICE".
Release Buttons.

To turn the audible beep back ON, simple repeat the above process.



20 CONTROL PANEL E-LOCK (OPTIONAL)

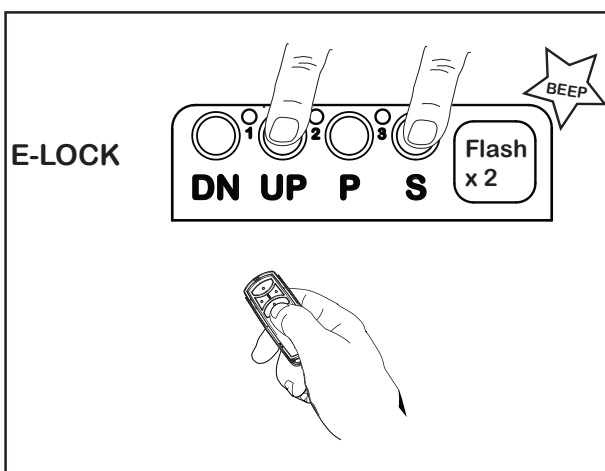
The WeatherDrive LM555EVGBSA has been factory set with the Control Panel buttons UNLOCKED. After all the Installation and programming processes are complete, the Control Panel buttons can be locked, and all the coded transmitters will remain active.

To Lock the Control Panel:

- Start with the door fully OPEN.
- Press UP, then S, then the transmitter and hold all three buttons for approx. 3 seconds until courtesy light flashes twice.
- Release all buttons.

The control panel is now LOCKED, and pressing any button will only allow the courtesy light to turn ON. Transmitters remain active.

To turn the Control panel back ON, simple repeat the above process using any previously coded transmitter.



21 PARTIAL OPENING FEATURE (PET)

This is an adjustable, second stop position suitable for ventilation, pedestrian or pet access, programmed to the Remote Control.

NOTE: Wireless Wall buttons will not operate this feature.

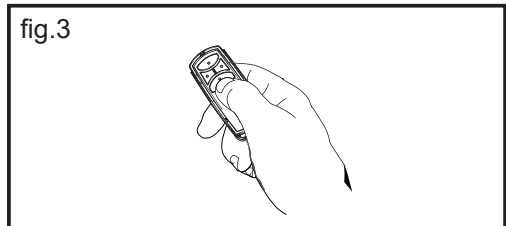
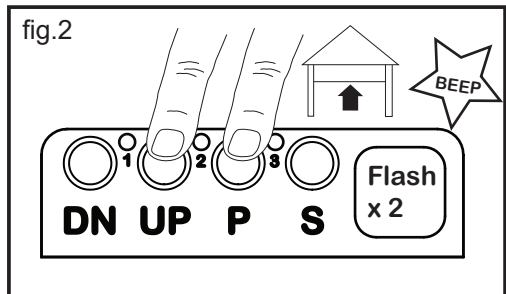
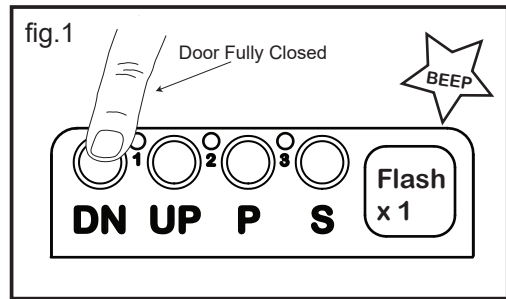
To Activate this feature:

1. Start with the door fully **CLOSED** (figure 1). Drive the opener UP and stop at the position required for **PET** access.
2. Enter PET activation mode by pressing the **P** and **UP** buttons together for 3 seconds (figure 2). Release when the Courtesy light flashes once.
3. Press the Remote Control button that you have allocated for this feature (figure 3). Do not use the button already allocated for normal operation. The Courtesy light will flash once when the code is accepted.

The remote will now operate to and from the “programmed” and the “fully closed position”. Outside this range the remote will operate as normal.

To Deactivate this feature:

1. Start with the door fully **CLOSED**.
2. Enter PET Activation mode by pressing the **P** and **UP** buttons together for 3 seconds (figure 2). The Courtesy light will flash twice, indicating that deactivation has occurred.



Lorem ipsum

22 WIRELESS PROGRAMMING (OPTIONAL ACCESSORIES)



Activate the opener only when door is in full view, free of obstruction and properly adjusted. No one should enter or leave garage while door is in motion. Do not allow children to operate push button(s) or remote(s). Do not allow children to play near the door.

NOTE: The transmitter(s) supplied with your opener are preprogrammed by the factory.

If you purchase additional transmitters, the garage door opener must be programmed to accept the new remote code.

Program the Receiver to Match Additional Transmitter Codes:

Using the "S" Button

1. Press and Hold the button on the hand-held remote or wall button that you wish to use (1).
2. Press and release the "S" button on the opener (2).
3. Release the remote button when the courtesy light flashes 3 times. It has learnt the code. If you release the remote control push button before the opener light flashes, the opener has not learnt the code.

Now the opener will operate when the remote control push button is pressed.

To Erase all Remote Control Codes

1. Press and Hold the "S" button on the opener until the courtesy light flashes twice, and continue holding for approx. 8 seconds, until the courtesy light flashes twice again.
2. Release the button, all codes are now erased.

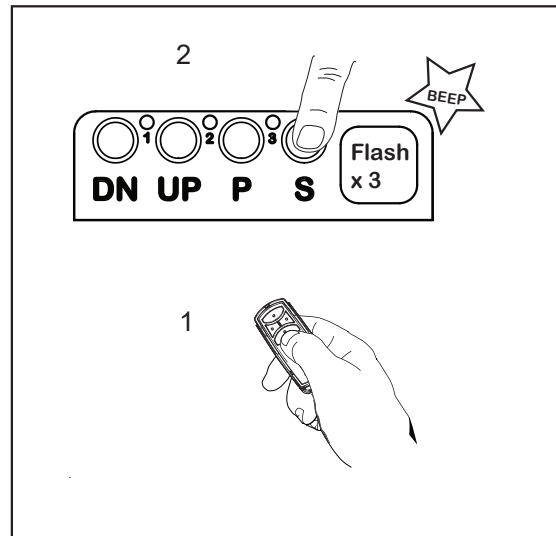
Wireless Keypad 747EV

To set the keyless entry PIN:

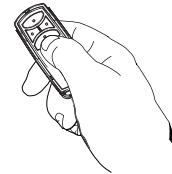
1. Locate the "S" button on the garage door opener.
2. Press and release the "S" button. The courtesy light will flash twice.
3. Enter a 4-digit personal identification number (PIN) of your choice on the keypad.
4. Press and hold the ENTER button. Check to see if the courtesy light flashes. Release the ENTER button after the light flashes.

To change an existing keyless entry PIN:

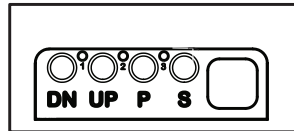
1. Enter the existing programmed PIN that you want to change.
2. Press and hold the # button until the courtesy light flashes twice.
3. Enter the new 4-digit PIN of your choice, then press the ENTER button. The light will flash once.
4. To test, enter the new PIN, then press the ENTER button. The garage door opener will activate.



1

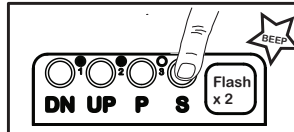


1



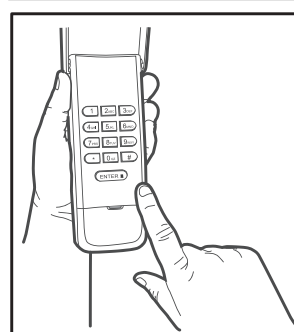
Locate the yellow "S" save button

2



Press and release the yellow "S" save button

3

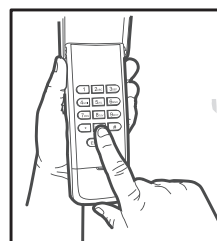


Enter a 4-digit PIN of your choice
 ? ? ? ?
 - - - -

4



Press and hold the enter button
 Opener light bulbs blink



After the lights blink release the ENTER button

OPERATION OF YOUR OPENER

Your opener can be activated by any of the following devices:

- **Opener Control Panel: UP & DOWN buttons**
- **Remote Control Transmitter:** hold the button down until the door starts to move.
- **The Outside keyswitch or keyless entry system** (if you have installed any of these accessories).
- **The Transmitter or Wireless Wall Control (128EV)**
Hold the push button down until the door starts to move.

When the opener is activated:

- If open, the door will close. If closed, the door will open.
- If closing, the door will stop.
- If opening, the door will stop (allowing space for entry and exit of pets and for fresh air).
- If the door has been stopped in a partially open or closed position, it will reverse direction.

Obstruction behaviour:

- If an obstruction is encountered while closing, the door will reverse.
- If an obstruction is encountered while opening, the door will reverse and stop.
- The optional Protector System™ uses an invisible beam which, when broken by an obstruction, causes a closing door to open and prevents an open door from closing. Liftmaster STRONGLY RECOMMENDS that the Protector System™ be installed on all garage door openers, ESPECIALLY for homeowners with young children.

Opening the door manually:



Door should be fully closed if possible. Weak or broken springs could allow an open door to fall rapidly. Property damage or serious personal injury could result.

The door can be opened manually by pulling the release cord down firmly.

To re-engage the door, pull the release cord down firmly.

The opener light will turn on for 3 minutes when the opener is activated.

CARE OF YOUR OPENER

When properly installed, your opener will operate with minimal maintenance. The opener does not require additional lubrication.

Limit and Force Settings: These settings must be checked and properly set when the opener is installed. Weather conditions may cause some minor changes in the door operation, requiring some re-adjustments, particularly during the first year of operation. Refer to limit and force setting in, section 14.

Follow the instructions carefully and repeat the safety reverse test after any adjustment.

Transmitter: Additional transmitters can be purchased at any time. Refer to Accessories. Any new transmitters must be programmed into the opener.

Transmitter battery: If transmission range decreases, replace the battery.

MAINTENANCE OF YOUR OPENER

Once a Month:

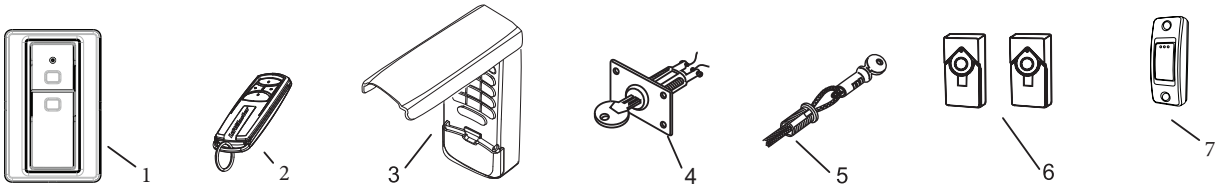
- Repeat safety reverse test.
Make any necessary adjustments (section 13).
- Manually operate door. If it is unbalanced or binding, call for professional garage door service.
- Check to be sure door opens and closes fully.
Set limits and/or force if necessary.

SPECIFICATIONS LM555EVGBSA

Input Voltage:	230-240 VAC, 50/60 Hz, 120 W
Rated Load:	32 Nm
Max.Pull Force:	500 N @ Ø300 mm
Max. door weight:	120 kg
Max lift under Spring Tension:	15 kg
Max. door area:	15.0 m ²
Power consumption:	approx. 4 W
IP Rating:	IP34
Drive:	DC gearmotor permanent lubrication
Max. Drum Rotations:	5 1/2
Memory Registers:	64
Operating Frequency:	433.30/433.92/434.54/868 MHz
Operating Temperature:	55°C to -25°C
Intended use of product:	for single household residential garages

23 OPTIONAL ACCESSORIES

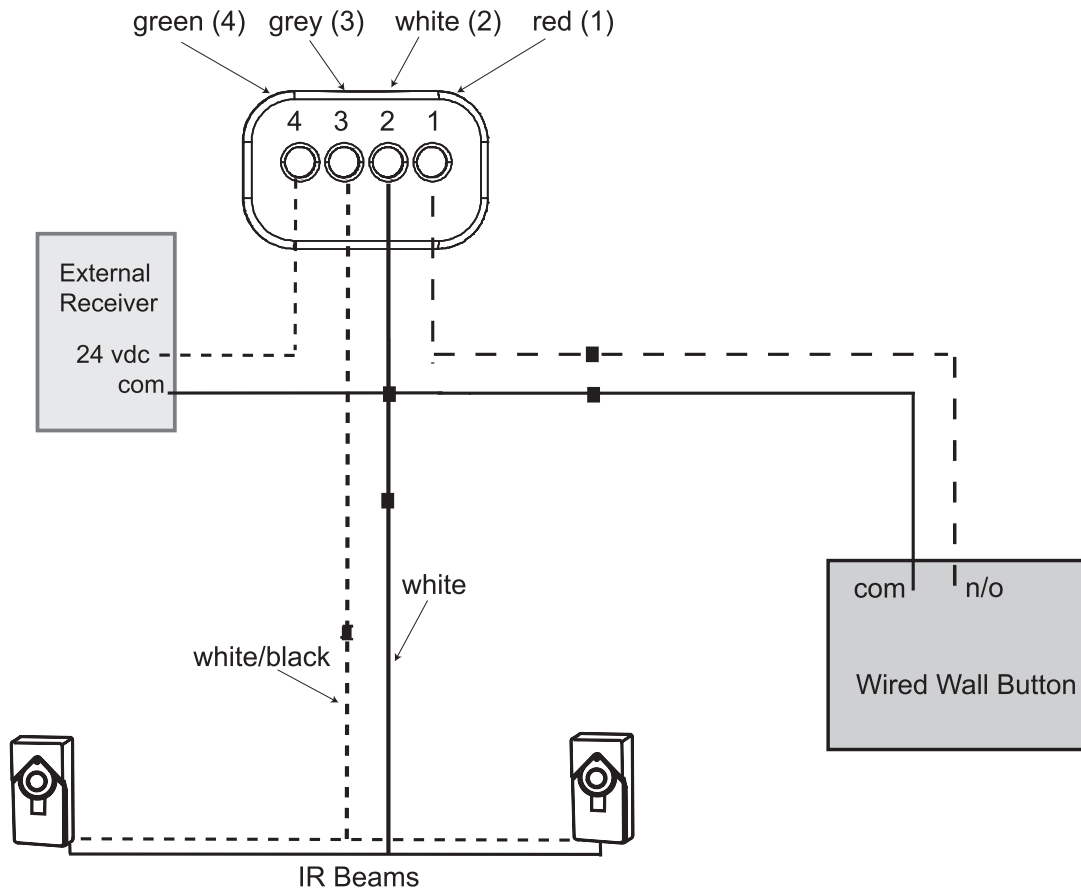
1. Model 128EV 2 Channel wireless wall button
2. Model ME960-LM 4 Channel transmitter
3. Model 747EV keyless entry system
4. Model 760EV outside keyswitch
5. Model 1702EV outside quick release
6. Model 771EV IR beams
7. Model 75EV wired push button



NOTE: Only genuine Liftmaster accessories are approved for use with this opener. Generic compatible accessories are **NOT** approved for use with this opener.

24 TYPICAL WIRING DIAGRAM WEATHERDRIVE LM555EVGBSA Information for Service Personnel

NOTE: The terminal block is weather protected by a rubber grommet. When using external wiring, the cable holes can be punched through with a small screwdriver. These holes should be sealed with silicon sealant in order to maintain the weather proof rating.



TROUBLESHOOTING

1. The opener will not operate from either the UP/DOWN ACTIVATION button or the transmitters :

- Does the opener have electric power? Plug a lamp into the outlet. If it does not work, check the fuse box.
- Have you disabled all door locks? Review installation instruction warnings on page 3.
- Is there a build-up of ice or snow under the door? The door may be frozen to the ground. Remove any restriction.
- The garage door spring may be broken. Have it replaced.

2. Opener operates from the transmitter, but not from the wired wall control terminals:

- Are the wiring connections correct?

3. The door operates from the UP/DOWN ACTIVATION buttons but not from the wireless wall control or transmitter:

- Program the opener to match the transmitter code. Repeat with all transmitters.

4. The transmitter has short range:

- Change the location of the transmitter in your car.
- Check to be sure the antenna on the bottom of the opener extends fully downward.
- Some installations may have shorter range due to a metal door, foil backed insulation, or metal garage siding.

5. The garage door opens and closes by itself:

- Be sure that all transmitter push buttons are off.
- If the wired wall control terminals are installed, remove the bell wire from the wired wall control terminals and operate from the ACTIVATION button or transmitter . If this solves the problem, the wired wall control is faulty (replace), or there is an intermittent short on the wire between the wired wall control and the opener.
- Clear memory and re-program all wireless wall controls and transmitters.

6. The door reverses and stops before opening completely:

- Is something obstructing the door? Is it out of balance, or are the springs broken? Remove the obstruction or repair the door.

7. Door reverses for no apparent reason and opener lights flashes 10 times:

- Check The Protector System™ (if you have installed this accessory). If the red light on the beam is flashing, the alignment is incorrect.

- The red light on the beams may not be on if the opener is in Standby mode. Activate the door to temporarily exit standby mode and check lights are on constantly. If the LEDs are flashing, realign the beams.

8. The door opens but will not close or reverses while closing (refer to point 7 as well):

- Is something obstructing the door? Pull the manual release handle. Operate the door manually. If it is unbalanced or binding, call a trained door systems technician.
- Clear any ice or snow from the garage floor area where the door closes.
- Repeat the limit and force setting. Repeat safety reverse test after adjustments.

9. The opener strains to operate door:

- The door may be out of balance or the springs may be broken. Close the door and use the manual release to disconnect the door. Open and close the door manually. A properly balanced door will stay in any point of travel while being supported entirely by its springs. If it does not, disconnect the opener and call a trained door systems technician.

10. The opener motor hums briefly, then will not work:

- Check that the door is not in manual release mode (refer section 8).
- The garage door springs may be broken. See above.
- If the problem occurs on the first operation of the opener, door may be locked. Disable any door locks.

11. The opener will not operate due to power failure:

- Use the manual release handle to disconnect the door. The door can be opened and closed manually. When power is restored, re-engage the opener.

12. The LED Indicators on the control panel are flashing in sequence:

Check the diagnostic code on next page.

13. Replace batteries in remotes:

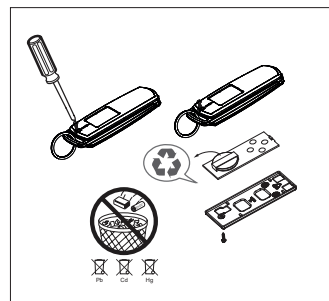


To prevent **SERIOUS INJURY OR DEATH:**

- **NEVER** allow small children near batteries.
- If battery is swallowed, immediately notify doctor.

To replace battery for optional ME960-LM, turn remote control around and open the case with a screwdriver. Lift cover and lift control board below. Slide battery to one side and remove. Observe polarity of battery!

Assemble again in reverse direction.



25 DIAGNOSTIC CHART

Your garage door opener is programmed with self-diagnostic capabilities. The indicator LED's 1 & 3 on the control panel will flash a number of times to indicate a fault code exists.

DIAGNOSTIC CODE		SYMPTOM	POSSIBLE RESOLUTION
LED 1	LED 3		
1	1	The garage door opener will not close and the courtesy light flashes.	Safety sensors are not installed correctly or wires may be cut. Inspect sensor wires for a disconnected or cut wire.
1	2	The garage door opener will not close and the courtesy light flashes.	There is a short or reversed wire for the safety sensors. Inspect safety sensor wire at all staple points and connection points and replace wire or correct as needed.
1	3	The door control will not function.	The wires for the door control are shorted or the door control is faulty. Inspect safety sensor wire at all staple points and connection points and replace wire or correct as needed.
1	4	The garage door opener will not close and the courtesy light flashes.	Safety sensors are misaligned or were momentarily obstructed. Realign both sensors to ensure both LEDs are steady and not flickering. Make sure nothing is hanging or mounted on the door that would interrupt the sensors path while closing.
1	5	There is no door movement or motor accelerates before stopping suddenly.	No RPM pulses have been detected. Check the door manually for balance, binding or obstructions. Internally the possible cause may be the motor, logic board or RPM sensor. Try resetting door travel limits. Contact service centre.
2	1	Opener fails to operate.	Possible PCB memory failure. Reboot opener by turning the mains power OFF and then ON after 15 seconds. Reprogram the door travel limits and force settings. Contact service centre.
2	2	Opener fails to operate.	Possible PCB Voltage failure. Reboot opener by turning the mains power OFF and then ON after 15 seconds. Reprogram the door travel limits and force settings. Contact service centre.
2	4	Opener fails to operate using the remote controls	Possible receiver failure. Reboot opener by turning the mains power OFF and then ON after 15 seconds. Recode the transmitters. Contact service centre.
4	1	Door is moving down, stops and reverses.	Manually open and close the door. Check for binding or obstructions, such as a broken spring or door lock. If the door is binding or sticking contact a trained door systems technician. If door is not binding or sticking, reset the limits (refer to "Program the Travel Limits and Force" section).
4	2	Door is moving up, stops and reverses.	Manually open and close the door. Check for binding or obstructions, such as a broken spring or door lock. If the door is binding or sticking contact a trained door systems technician. If door is not binding or sticking, reset the limits (refer to "Program the Travel Limits and Force" section).



ملاحظة هامة

* تم تقييم هذه الوحدة من **Liftmaster** بمعيار **IP34**، ولكن لضمان أفضل تشغيل لجهاز فتح الباب، يجب أن يضمن القائم بالتركيب أنه محمي من العوامل الطبيعية. يجب عدم تعريضه للماء أو المطر على قدر الإمكان. يجب عدم غمره بالماء أو رشه مباشرةً بخراطوم الحديقة أو المنظف بالضغط.

مخطط تقييم الحماية الدولي (IP)

حماية الأشخاص والمعدات كما وضّحه قانون IP.

الحماية التي توفرها الهياكل الخارجية للمعدات الكهربائية كما هو موضح بقانون IP:

أرقام الخصائص

يشير الرقم الأول إلى حماية الأشخاص من الوصول إلى الأجزاء الخطرة، وحماية المعدات ضد دخول الأجسام الصلبة الغريبة. (انظر AS 1939، الفقرة 5)	IP	يشير الرقم الثاني إلى حماية المعدات ضد دخول المياه الضار إليها. (انظر AS 1939، الفقرة 6)
X		X
الحماية غير محددة (غير مختبرة)		الحماية غير محددة (غير مختبرة)
0		0
غير محمية		غير محمية
يشير رمز "الوميض" إلى الأجزاء الخطرة (مباشرة أو متحركة)		
1		1
حماية ظهر اليد من الوصول غير المقصود إلى الأجزاء الخطرة، وحماية المعدات ضد الأجسام الأكبر من 50 مم.		الحماية ضد قطرات المياه الساقطة رأسياً.
2		2
حماية الأصابع من الوصول إلى الأجزاء الخطرة، وحماية المعدات ضد الأجسام الأكبر من 12.5 مم.		الحماية ضد قطرات المياه الساقطة رأسياً عندما يكون الكائن مائلاً من وضعه الطبيعي 15 فيمتو لتر (في أي اتجاه)
3		3
حماية الأشخاص الممسكين بالأدوات أو الأسلاك (التي يزيد قطرها عن 2.5 مم) وحماية المعدات ضد الأجسام الأكبر من 2.5 مم (على سبيل المثال محامل الكرات)		الحماية ضد رذاذ الماء على ارتفاع 60 فيمتو لتر من الوضع الرأسي.
4		4
حماية الأشخاص الممسكين بالأدوات الصغيرة أو الأسلاك (التي يزيد قطرها عن 1 مم) وحماية المعدات ضد الأجسام الأكبر من 1 مم (على سبيل المثال محامل الكرات)		الحماية ضد رذاذ ورش الماء من جميع الجهات العملية.
5		5
الحماية ضد دخول الغبار بكميات تكفي للتعارض مع التشغيل المرضي للمعدات.		الحماية ضد رذاذ المياه منخفضة الضغط من جميع الجهات العملية.
6		6
الحماية الكاملة ضد دخول الغبار.		الحماية من الأمواج الثقيلة أو رذاذ المياه القوية من جميع الجهات العملية.
		7
		الحماية ضد الغمر المؤقت في الماء.
		8
		الحماية ضد الغمر الجزئي المتواصل في الماء (تخضع الاختبارات للموافقة، ولكن ليس أقل قوة من الرقم الثاني 7)

ابدأ بقراءة تعليمات السلامة الهامة التالية

تحذير

- قد ينتج عن عدم اتباع التعليمات التالية إصابات شخصية بالغة أو تلف في المنتج.
- اقرأ جميع التعليمات واتبعها بحرص.
- تم تصميم واختبار جهاز فتح باب الجراج لتقديم خدمة آمنة بشرط أن يتم تركيبه وتشغيله بالتوافق الدقيق مع التعليمات الموجودة في هذا الكتيب.



رموز تنبيهات الأمان هذه تعني تحذير: وهذا يعني وجود خطر محتمل على السلامة الشخصية أو قد يحدث تلف بالممتلكات.

يجب عدم استخدام جهاز فتح الباب على الباب الصغير المدمج بالباب الكبير (باب داخل باب).



حافظ على توازن باب الجراج. لا تجعل جهاز فتح باب الجراج بمثابة عوضاً عن أبواب الجراج العالقة. يجب إصلاح الأبواب العالقة أو المحشورة أو غير المتوازنة قبل تركيب جهاز فتح الباب.



يجب استخدام نظام الحماية (Protector System™) في كل التركيبات التي يكون فيها عزم الإغلاق - كما تم قياسه بقاعدة الباب - يزيد عن 400 نيوتن (40 كيلوغرام ثقلي). سوف يُعطل العزم الزائد تشغيل النظام العكسي للأمان بشكل مناسب أو يؤدي إلى تلف باب الجراج.



لا ترتدي الخواتم أو الساعات أو الملابس الفضفاضة أثناء تركيب أو صيانة قاتح باب الجراج. ارتدِ القفازات والملابس الواقية المناسبة عندما تتطلب الحاجة.



بعد التركيب، تأكد أن أجزاء الباب لا تمتد فوق ممرات المشاة العامة أو الطرق.



أفحص تركيب الباب بشكل متكرر وخاصةً الكابل والزنبركات والسنادات بحثاً عن علامات الاهتراء أو التلف أو عدم الاتزان. لا تستخدم الباب إذا احتاج إلى تصليح أو تعديل حيث أن زنبركات وعتاد الباب تقع تحت ضغط شديد وقد يتسبب أي خطأ في حدوث إصابات بالغة.



يُثبت جهاز التحكم الجداري اللاسلكي (أو أي جهاز تحكم جداري إضافي) في مكان حيث يكون باب الجراج مرئياً، بعيداً عن الأجزاء المتحركة، وعلى ارتفاع 1.5 متر على الأقل وبعيداً عن متناول الأطفال. لا تسمح للأطفال بالضغط على زر/أزرار التشغيل أو جهاز/أجهزة الإرسال. قد ينتج عن الاستخدام الخاطئ لجهاز فتح الباب إصابة بالغة بسبب إغلاق باب الجراج.



لتجنب الإصابات البالغة التي قد تنتج من التشابك، أزل كافة الحبال والسلاسل والأقفال المتصلة بباب الجراج قبل تركيب قاتح باب الجراج.



الصق ملصقات التحذير في أماكن بارزة بشكل دائم، بالقرب من جهاز التحكم الجداري والليات التحرير اليدوي بحيث تكون بمثابة تذكير بإجراءات التشغيل الآمنة.



يجب أن تتناسب عملية التركيب وتوصيل الأسلاك بالمبنى المحلي الخاص بك والقوانين الخاصة بالتوصيلات الكهربائية.



شغّل جهاز فتح الباب فقط عندما يكون الباب مرئياً بشكل كامل وخالي من العوائق ويكون جهاز فتح الباب تم ضبطه بشكل صحيح. يجب ألا يدخل أو يغادر أحد الجراج عندما يكون الباب في وضع الحركة.



يعتبر اختبار النظام العكسي للأمان مهماً جداً. يجب أن يرتد باب الجراج عند ملامسة عائق ارتفاعه 40 مم موضوعاً على الأرضية. قد ينتج عن الفشل في ضبط جهاز فتح الباب بشكل صحيح إصابات بالغة جراء إغلاقه. كرر الاختبار مرة كل شهر وقم بعمل أي تعديلات ضرورية.



لا تسمح للأطفال باللعب بأجهزة التحكم بالباب أو بالقرب من الباب.



هذا الجهاز ليس مخصصاً لاستخدامه من قِبل الأشخاص (بما في ذلك الأطفال) الذين لديهم نقص في القدرات الجسدية أو الحسية أو العقلية، أو تنقصهم الخبرة والدراية، إلا إذا قام شخص بالغ مسؤول عن سلامتهم بالإشراف عليهم أو إرشادهم عن كيفية استخدام الجهاز.



إذا كان سلك الإمداد بالتيار تالفاً، يجب استبداله من قبل جهة التصنيع أو وكيل صيانتها أو شخص مؤهل مماثل لتجنب أي خطر.



المشغّل الآلي - يُثبت بعيداً عن المساحة التي يوجد بها الباب حيث أنه قد يعمل بشكل مفاجئ.



أفضل التيار الكهربائي عن جهاز فتح باب الجراج قبل إجراء أي إصلاحات وقيل إزالة الأغطية.



يجب عدم تثبيت جهاز فتح باب الجراج في مكان رطب أو مبلل.



احتفظ بهذه التعليمات

ملاحظة: إذا كان جراجك لا يوجد به باب لمدخل الخدمة، يجب تركيب جهاز EV1702 خارجي سريع التحرير. يسمح هذا الملحق بتشغيل باب الجراج يدوياً من الخارج في حالة انقطاع التيار الكهربائي.

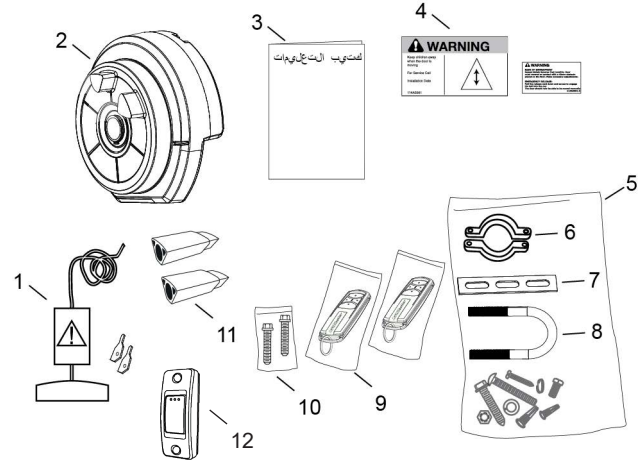
صفحة المحتويات

13	سرعة سفر الباب
14	صفيح مسموع
14	القفل الإلكتروني للوحة التحكم
15	الفتح الجزئي
16	برمجة اللاسلكي
17	تشغيل جهاز فتح الباب
17	صيانة جهاز فتح الباب
17	العناية بجهاز فتح الباب
17	المواصفات
18	الملحقات والأسلاك
19	حل المشكلات
20	المخطط التشخيصي

3	تعليمات السلامة
4	قائمة محتويات الكروتونة
4	الأدوات المطلوبة
4	مستلزمات الباب
5	تجهيز واختبار الباب
6	لوحة التحكم
7	مفتاح التحرير اليدوي القابل للقفل
8	تدبيس الباب
9	إجراءات التركيب
10-11	الضبط والاختبار
12	تركيب نظام الحماية
13	تركيب زر الحائط اللاسلكي (اختياري)

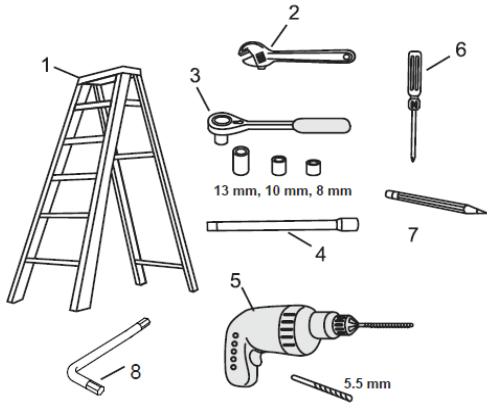
1 قائمة محتويات الكرتونة

1. قمبلا ضن تحرير وسلك وملاف اتح وبطاقة خطر
2. الانحشار 2. جهاز فتلا حباب
3. كتلا يتعلمياهر تذذ لاثقية
4. بطاقة لاتحذير وبطاقة خطر الانحشار
5. يقحبة للخردوتا تشمل...
6. طوق زنق
7. صفحية تثبتي
8. كتيفة تثبتي
9. أجهزا للإرسال
10. براغي لوصلات تطول بقدم ملاشد
11. وصلات تطويل قدم ملاشد
12. طراز EV75 ضغط سلك



2 الأدوات المطلوبة

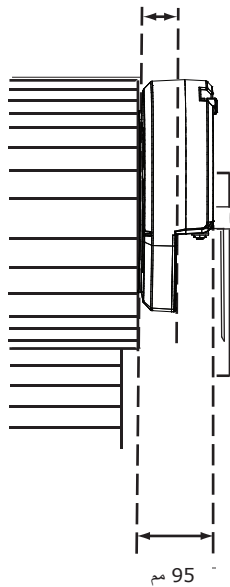
1. سلم
2. مفتاح قابل للضبط للبراغي التي على شكل حرف U المثبتة بالفعل في الباب
3. جلبة 8 مم، وجلبة 10 مم، وجلبة قابلة للإطالة 13 مم، ومفتاح ربط صندوقي
4. جلبة إطالة 300 مم (للتكريب في الحد الأدنى من الحيز الجانبي)
5. متقاب (شنيور) ولقمة ثقب (بنطة) 5.5 مم
6. مفك براغي برأس فيليبس
7. قلم للتعليم
8. مفتاح ألن 8 مم
9. حامل للباب أو وسيلة مشابهة لإسناد الباب بأمان (غير معروض في الصورة)



3 مستلزمات الباب

- أقصى ارتفاع مسموح به للباب هو 5.5 متر، وأقصى مساحة مسموح بها للستارة هو 15 متر². يجب أن تكون زنبركات الباب متوازنة.
* يجب تركيب نظام الحماية (Protector System™) (أشعة IR تحت الحمراء) إذا كان العزم الموجود عند حافة الباب المغلق يتجاوز 400 نيوتن (40 كيلو غرام ثقلي). يجب ألا يزيد قطر محور الباب عن 35 مم.

أقل مسافة من حافة
الستارة إلى حافة كتيفة
الباب هي 40 مم



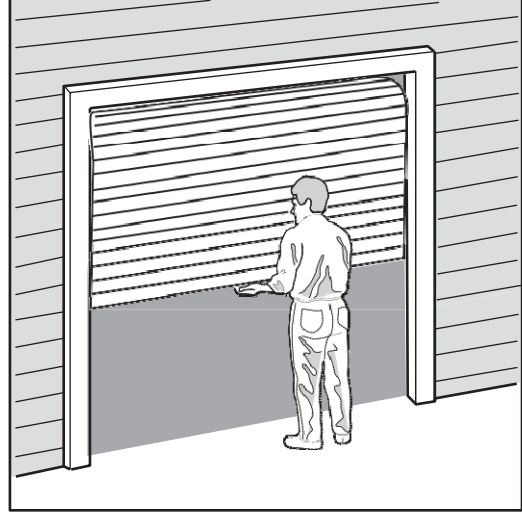
طريقة التثبيت بالقامطة المباشرة

تأكد من وجود 40 مم على الأقل من حافة الستارة إلى حافة الكتيفة. إذا كانت أسطوانة باب الروول موجودة على حافة الستارة أو قطرها أصغر فقد يتطلب ذلك توفير خلوص إضافي.

4 اختبار الباب

أكمل الاختبار التالي للتأكد من أن بابك متوازن وغير عالق أو محشور:

- قم بتعطيل كافة الأقفال وإزالة أي حبال متصلة بباب الجراج.
- ارفع الباب إلى منتصف المسافة تقريباً ثم حرره. يجب أن تبقى زنبركات الباب متوازنة.
- ارفع وأخفض الباب حتى تحدد ما إذا كانت هناك أي نقاط يعلق أو ينحشر عندها الباب (15 كجم تقلي هي الحد الأقصى المسموح به لرفع أو خفض الباب في أي موضع).
- إذا لم يبق بابك ثابتاً في مكانه أو علق أو انحشر، اتصل بفني متخصص بالأبواب قبل تركيب جهاز فتح الباب.
- اعتماداً على أداء الباب، قد تكون هناك حاجة إلى قضيب وزن في الحافة السفلية من الباب. استخدم حافة سفلية معدنية والتي تشكل قضيب الوزن.



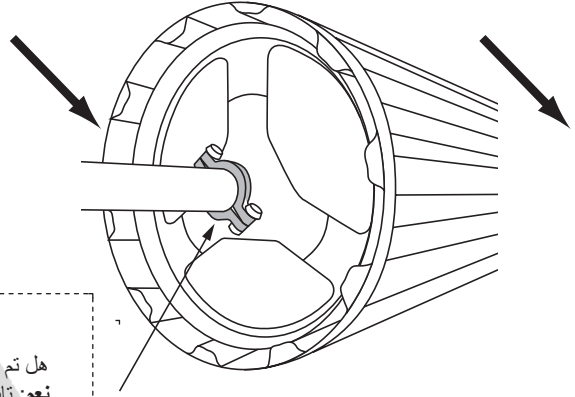
5 تركيب طوق الزنق

• ركب طوق الزنق على النهاية العكسية للمكان الذي سيتم تركيب جهاز فتح الباب به.

• قم بتثبيت طوق الزنق بشكل محكم على الجزء الناتئ من أسطوانة الباب. تأكد أن البرغي الذي على شكل حرف U الذي يثبت عمود الباب إلى كتيفة الباب مربوط بإحكام.

الجهة التي لا يوجد بها جهاز فتح الباب

الجهة التي يوجد بها جهاز فتح الباب



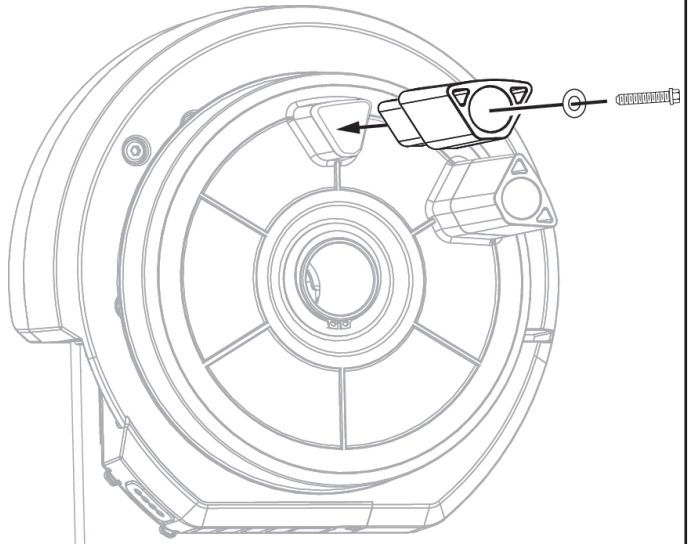
فحص الأمان!

هل تم تركيب طوق الزنق؟
نعم: تابع إلى الخطوة التالية

لا: ركب طوق الزنق قبل المتابعة

6 تركيب وصلات تطويل قدم المشغل

أدخل وصلات تطويل قدم المشغل في أرجل المشغل وثبتها باستخدام البراغي المتوفرة مع المنتج.



1. واصلة الطرف الصندوقي: تستخدم للملحقات الخارجية (انظر المخطط أدناه).

الرقم	الوظيفة	اللون	القطبية	التعليقات
1	زر الدفع	أحمر	موجب	واجهة الاتصال الجافة لأجهزة التحكم الجدارية السلكية لزر الدفع:
2	مشارك	أبيض	سالب	نهايات مشتركة لزر الدفع وأشعة IR تحت الحمراء والتيار الإضافي:
3	أشعة IR تحت الحمراء	رمادي	موجب	مدخل أشعة IR تحت الحمراء: (النوع النبضي فقط) غير نشط في وضع السبات
4	التيار الإضافي	أخضر	موجب	مخرج إضافي بقدرة تيار مباشر 24 فولت و 50 ميلي أمبير للمستقبل الشامل

ملاحظة: واصلة الطرف الصندوقي محمية من ظروف الطقس بجوان مطاوي. عند استخدام أسلاك خارجية، يمكن ثقب ثقب الكابل بواسطة مفك براغي صغير. يجب أن يتم سد هذه الثقوب جيداً بالسيليكون للمحافظة على تقييمها المضاد لظروف الطقس.

2. زر DN: يستخدم لدفع الباب إلى أسفل.

3. زر UP: يستخدم لدفع الباب إلى أعلى.

4. زر P: يستخدم لـ"برمجة" حدود الباب.

5. زر S: يستخدم لـ"حفظ" "أجهزة التحكم عن بعد".

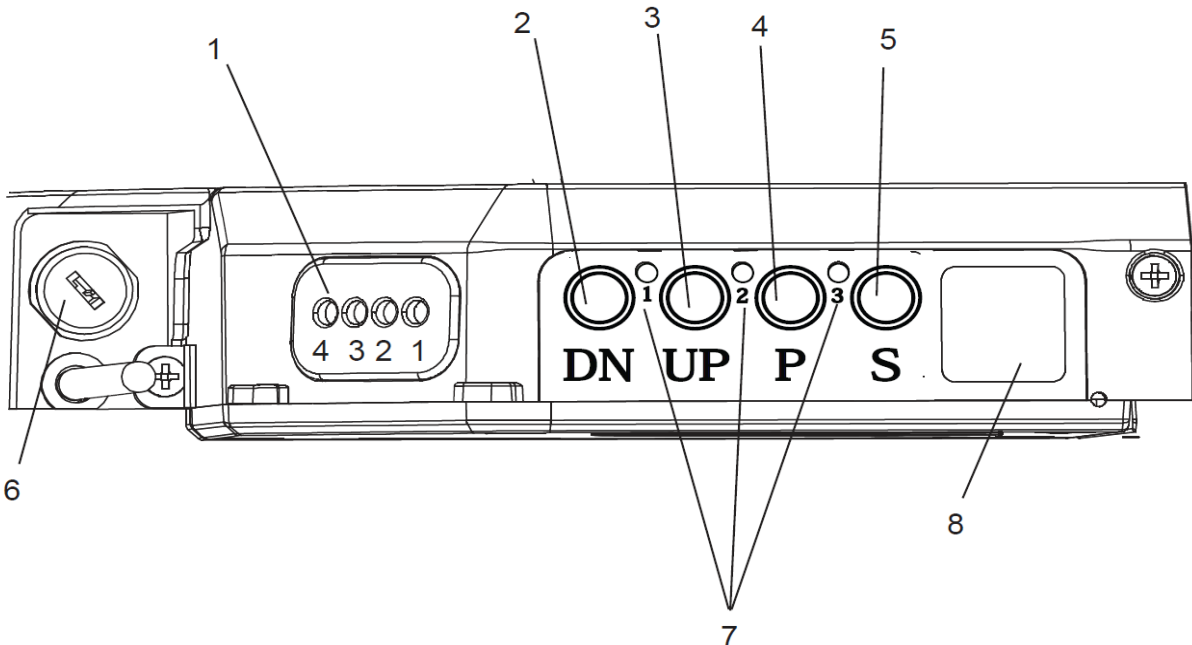
6. مفتاح القفل: يستخدم لقفل آلية التعشيق/ فك التعشيق للتطبيقات التجارية.

7. مصابيح LED: 1. برمجة لأسفل، ومؤشر الرمز التشخيصي رقم 1.

2. مؤشر البرمجة لأعلى.

3. مؤشر الرمز التشخيصي رقم 2.

8. ضوء فتحة الباب: يضيء خلال التشغيل وينطفئ تلقائياً بعد 3 دقائق.



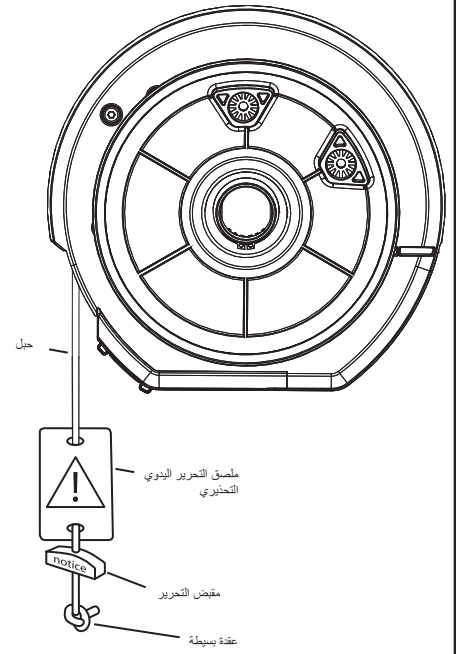
8 مقبض وحبل التحرير



لا تفك تعشيق جهاز فتح الباب لغرض التشغيل اليدوي عندما يتواجد أطفال أو أشخاص أو أشياء أخرى بما فيها السيارات في طريق الباب: (يقع الباب تحت توتر كبير وفي حالة حدوث أي خطأ في الباب أو توتر خاطئ، فقد يكون غير آمن وقد يسقط بسرعة).

تمكّنك آلية التحرير اليدوي من تشغيل الباب يدويًا أثناء انقطاع التيار أو في حالات الطوارئ.

تم تجميع حبل التحرير اليدوي الأحمر في جهاز فتح الباب مسبقًا. عند تركيب جهاز فتح الباب يجب ألا يكون المقبض أعلى من 1.8 متر من الأرضية. قد يحتاج الحبل إلى وصلة تطويل.



9 تشغيل التحرير اليدوي

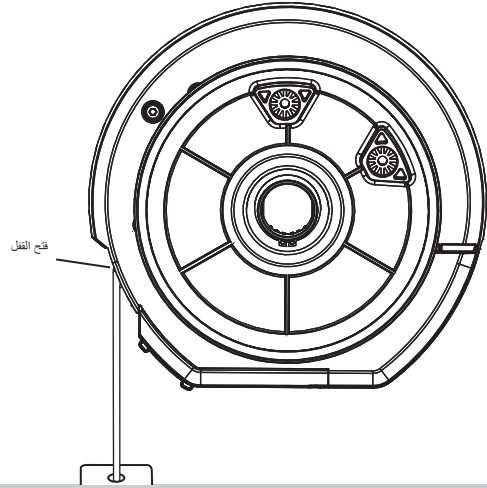
ملاحظة: تأكد أن مفتاح التحرير القابل للقفل غير مقفل.

لفك تعشيق جهاز فتح الباب

اجذب حبل التحرير إلى أسفل بشدة، (سيصدر جهاز فتح الباب صوت طقطقة).

لإعادة تعشيق جهاز فتح الباب

اجذب حبل التحرير إلى أسفل بشدة، (سيصدر جهاز فتح الباب صوت طقطقة).



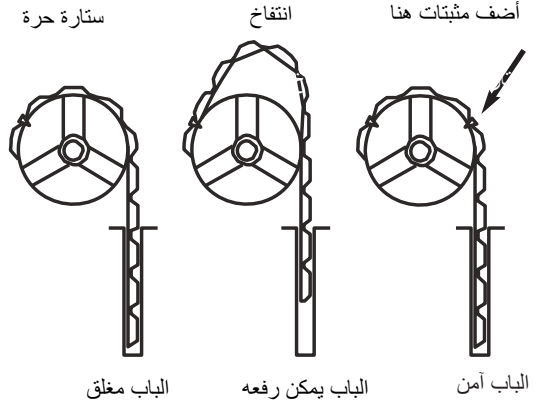
قم بتعطيل كافة الأقفال وإزالة أي حبال متصلة بباب الجراج. يرجى توخي الحذر عند تشغيل نظام الفتح اليدوي حيث أن الباب المفتوح قد يسقط بسرعة بسبب ضعف أو كسر في الزنبركات أو عندما يكون الباب غير متوازن.

10 تدبيس الباب

ملاحظة: قد يتسبب الباب المنتفخ في تأخير استجابة نظام انعكاس الاتجاه للأمان وقد يقلل من أمان الباب.

• لعلاج أي انتفاخ، ضع براغي معدنية ذاتية اللولبة أو مسامير البرشام في المنطقة التي تترك فيها الستارة الأسطوانة. ثبتها بإحكام خلال الستارة في عجلة الأسطوانة في نهايتي الأسطوانة.

• بعد تحديد الموقع الصحيح للقفل كما هو موضح، ارفع الباب ما يقرب من نصف دورة من موضع الإغلاق للسماح بالوصول لعملية الثقب.



11 التركيب على الجهة اليمنى/اليسرى

الجهة اليسرى
(يجب تغيير
الجهتين أثناء
تعيين الحدود)

الجهة اليمنى
(إعداد المصنع
الافتراضي)

المنظر من داخل الجراج مع النظر إلى الخارج

12 إجراءات التركيب



لا تسمح للأشخاص بالمشي تحت أو حول الباب أثناء عملية التركيب فقد تحدث إصابات خطيرة.

ملاحظة: يمكن تركيب جهاز فتح الباب على أي من جانبي الباب. التعليمات التالية هي للتركيبات على الجهة اليمنى (كما تم التوضيح، بمعنى من داخل الجراج والنظر إلى الخارج). للتركيبات على الجهة اليسرى، اعكس مصطلحات التعليمات (على سبيل المثال، "يسار" يتم عكسها إلى "يمين" وهكذا).

الإعداد:

- اجعل جهاز فتح الباب في وضع التحرير اليدوي.
- افتح باب الروول بالكامل. للأمان، اربط حبل حول الباب.
- تأكد أن المسمار على شكل U الخاص بمحور الباب وكتيفة التثبيت الخاصة بالباب الموجود على الجهة اليسرى (الجهة التي لا يوجد بها جهاز فتح الباب) مربوطاً بإحكام.
- اسند الباب بحامل الباب أو وسيلة مشابهة لإسناد الباب بأمان.
- علم موضع عمود الباب على الجانب الأيمن من كتيفة الباب (لأغراض إعادة التجميع).
- بينما يكون الباب مسنوداً، أزل المسمار على شكل U الخاص بمحور الباب وكتيفة التثبيت الخاصة بالباب من الحائط.

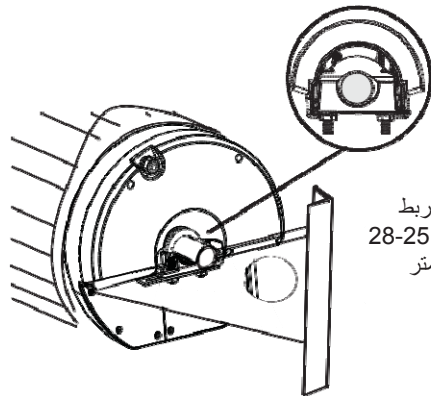
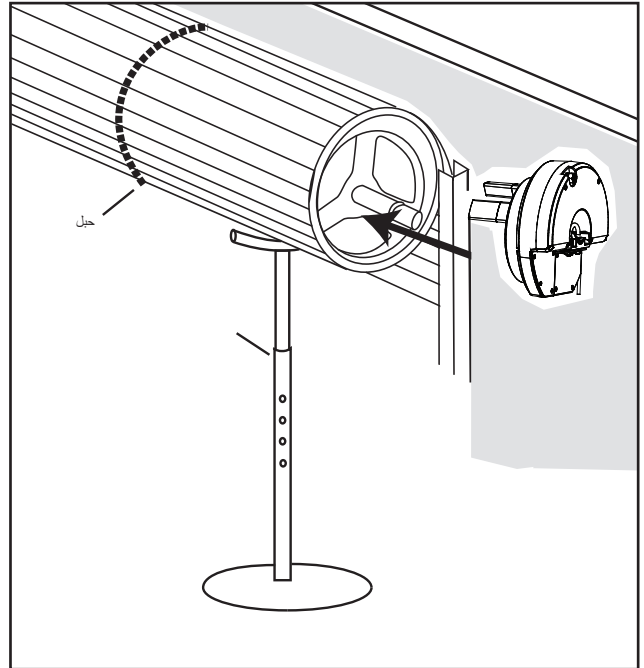
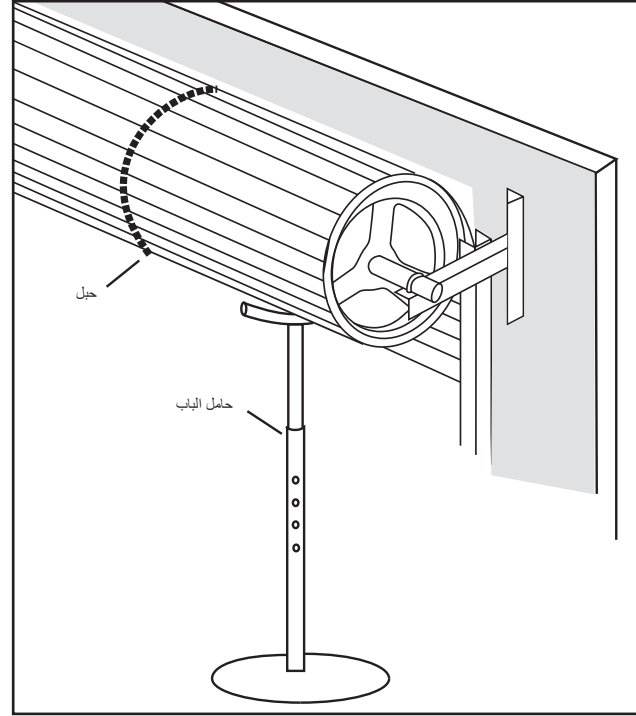
تركيب جهاز فتح الباب:

- مرّر جهاز فتح الباب فوق محور الباب وقم بتعشيق أرجل المشغل في عجلة أسطوانة الباب، على كلا جانبي قضيب العجلة.
- أعد تركيب كتيفة تثبيت الباب على الحائط.
- ثبت جهاز فتح الباب على محور الباب وكتيفة الباب بالقامطة في المواضع المعلمة باستخدام تجميعة القامطة المتوفرة (أحكم الربط بمقدار 25 - 28 نيوتن متر).
- أزل جميع الحبال والحامل.
- تحقق من تشغيل الباب في الوضع اليدوي برفعه وخفضه باليد. يجب أن يعمل بسلاسة دون حشر أو علق. يجب أن يكون قد تم تركيب مقبض فصل التعشيق بالفعل على ارتفاع أقل من 1.8م فوق الأرضية.



توصيل التيار الكهربائي:

- ضع كابل التيار بعيداً عن ستارة الباب وأي أجزاء متحركة.
- أدخل مقبض جهاز فتح الباب في أقرب نقطة توصيل تيار وشغله.
- سوف يضيء ضوء جهاز فتح الباب.



13 إعداد الحدود والعزم للتشغيل على الجهة اليمنى أو اليسرى

تُعيّن حدود أشواط الباب مدى ارتفاع الباب إلى أعلى ونزوله إلى أسفل. يجب أن يتم تكوين جهاز فتح الباب أيضاً بشكل صحيح لأجل التركيب في الجهة اليمنى أو اليسرى، إذا لم يتم تركيبه بشكل صحيح سيدور الباب في الاتجاه المعاكس.
أزرار البرمجة: يحدد الشكل التوضيحي للوحة التحكم في القسم 7 أزرار التحكم ومخطط مصابيح LED. صغير مسموع: تتميز كل ضغطة زر بصوت "صغير" مسموع. يمكن إيقاف هذه الميزة. ضوء فتحة الباب: خلال تتابع البرمجة، سيضيئ ضوء فتحة الباب بنصف قوته.
ملاحظة: تم تكوين جهاز فتح البه WeatherDrive LM555EV باسباً في المصنع لتركيبه على الجهة اليمنى.



سيعمل جهاز فتح الباب أثناء هذا الإجراء. تأكد أن مسار الباب خالٍ من العقبات. تأكد أن يديك بعيدة عن أي أجزاء متحركة قبل تشغيل الباب.

إعداد عملية التشغيل على الجهة اليمنى أو اليسرى:

راجع الأشكال التوضيحية الموجودة على اليمين للتوضيح.
تأكد أن الباب في منتصف المسافة وأن جهاز فتح الباب في وضع تعشيق.
أدر زر تشغيل جهاز فتح الباب للتشغيل، سيضيئ ضوء فتحة الباب لمدة ثانيتين، ثم ينطفئ.

1. اضغط على الزر "P" لمدة 5 ثوان حتى يبدأ أحد مصابيح LED أرقام 1 أو 2 بالوميض، ثم حرره. لإعداد الجهة اليمنى، سيومض مصباح LED رقم 1، ولإعداد الجهة اليسرى سيومض مصباح LED رقم 2.
2. للتغيير إلى الإعداد المضاد، اضغط ببساطة على زر "S" الأصفر، وسيومض مصباح LED المضاد.
3. عند تحديد إعداد الجهة الصحيح، اضغط وحرّر زر البرمجة أسود اللون "P" لقبول هذا الإعداد. (تابع)

تعيين حدود الباب:

4. اضغط واستمر في الضغط على زر "UP" حتى يصل الباب إلى موضع الفتح المطلوب (يمكنك التبديل بين الأزرار UP و DN لتحريك الباب إلى الموضع الصحيح. تأكد أن هناك مساحة كافية لمرور مركبتك من أسفل الباب)
5. اضغط وحرّر زر البرمجة أسود اللون "P" لقبول هذا الإعداد.
6. اضغط واستمر في الضغط على زر "DN" حتى يصل الباب إلى موضع الإغلاق المطلوب (يمكنك التبديل بين الأزرار UP و DN لتحريك الباب إلى الموضع الصحيح).
7. اضغط وحرّر زر البرمجة أسود اللون "P" لقبول هذا الإعداد. (يجب أن يومض مصباح LED رقم 2 ليشير إلى أنك الآن في وضع تعليم العزم) (تابع)

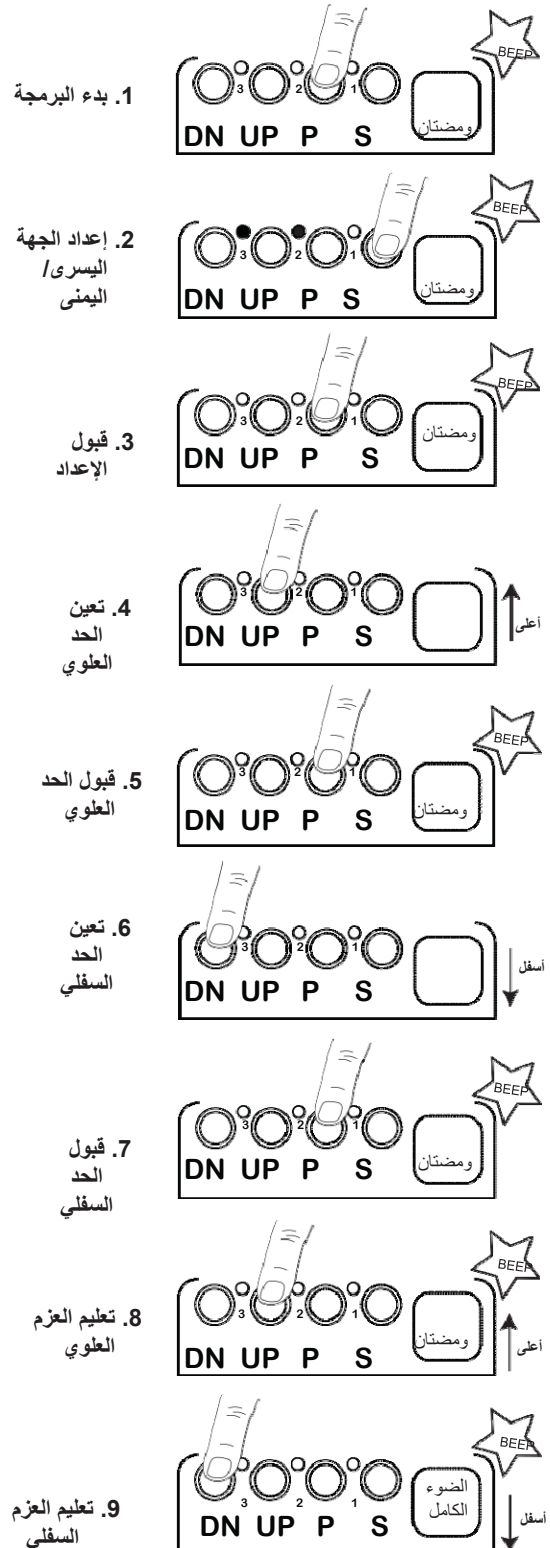
تعيين العزم تلقائياً:

8. اضغط وحرّر زر "UP". سيتحرك الباب إلى موضع الفتح مع وميض مصباح LED رقم 2.
9. اضغط وحرّر زر "DN". سيتحرك الباب إلى موضع الإغلاق مع وميض مصباح LED رقم 1. عندما يكون الباب في وضع الإغلاق الكامل، سيتوقف مصباح LED رقم 1 عن الوميض ويتحول ضوء فتحة الباب إلى الطاقة الكاملة.

(هذه العملية مكتملة حالياً)

تعيين العزم يدوياً: (يعمل فقط إذا كان قد تم تعيين الحدود بالفعل)

- ابدأ في وضع الباب مغلق بالكامل.
- اضغط الزر "S" مرتين للدخول إلى وضع تعليم العزم. سيضيئ ضوء فتحة الباب بنصف قوته، وسيومض مصباح LED رقم 2 بسرعة.
- اضغط وحرّر زر "UP". سيتحرك الباب إلى موضع الفتح، ثم سيومض مصباح LED رقم 1 بسرعة.
- اضغط وحرّر زر "DN". سيتحرك الباب إلى موضع الإغلاق، ثم سيتوقف مصباح LED رقم 1 عن الوميض ويتحول ضوء فتحة الباب إلى الطاقة الكاملة. (هذه العملية مكتملة حالياً)

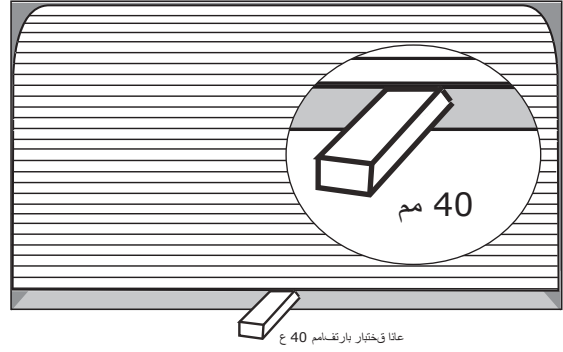


14 اختبار النظام العكسي للأمان

يعتبر اختبار نظام انعكاس الاتجاه للأمان مهمًا. يجب أن يرتد باب الجراج عند ملامسة عائق ارتفاعه 50 مم موضوعًا على الأرضية.

قد ينتج عن الفشل في ضبط جهاز فتح الباب بشكل صحيح إصابات بالغة جرّاء إغلاقه.

شغل الباب في اتجاه النزول إلى أسفل. يجب أن يرتد الباب عند الاصطدام بعائق. إذا توقف الباب عند الاصطدام بالعائق، أزل العائق وكرر إعدادات تعيين حدود أشواط الصعود والنزول وإعدادات العزم (راجع القسم 12).
كرّر اختبار النظام العكسي للأمان.



15 تثبيت الملصقات التحذيرية

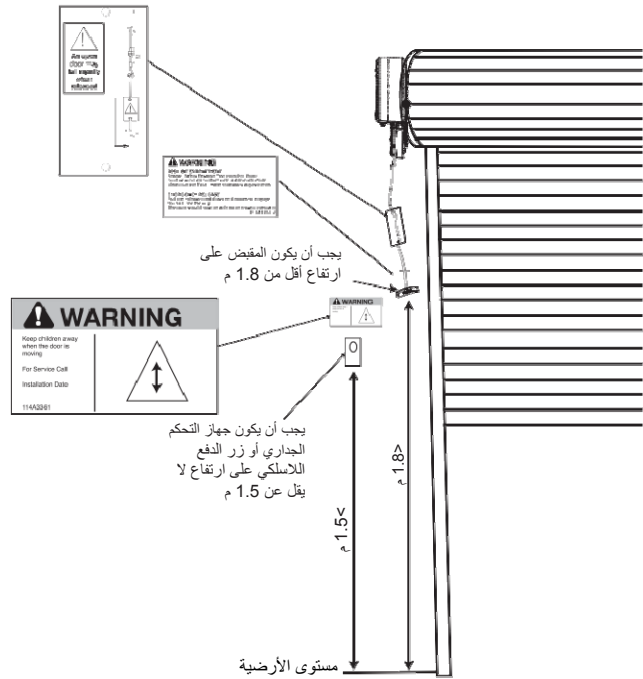
بمجرد الانتهاء من التثبيت بنجاح وإجراء اختبار انعكاس الاتجاه للأمان (المذكور أعلاه)، قم بتثبيت الملصقات التحذيرية المتوفرة مع جهاز فتح الباب كما هو موضح.

يجب تثبيت ملصق خطر الانحشار بالقرب من مقبض التحرير على ارتفاع أقل من 1.8 م من الأرضية.

يجب تثبيت ملصق التحذير في مكان بارز بالقرب من أي جهاز تحكم مثبت.

تأكد أن بطاقة تعليمات التحرير اليدوي مرفقة مع الحبل كما فصلنا في القسم 8.

اقرأ تعليمات السلامة (صفحة 3) للحصول على المزيد من التفاصيل بخصوص السلامة.



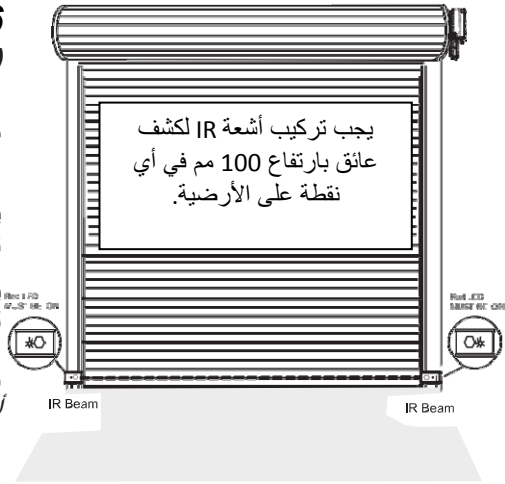
اكتمل التركيب القياسي

16 تركيب نظام الحماية PROTECTOR SYSTEM™ (أشعة IR تحت الحمراء) ملحق اختياري

ملاحظة: يجب استخدام هذا الملحق في كل التركيبات التي يكون فيها عزم الإغلاق كما تم قياسه بقاعدة الباب يزيد عن 400 نيوتن (40 كيلوغرام ثقلي).

يمكن تركيب ملحق نظام الحماية The Protector System™، بعد تركيب جهاز فتح الباب وضبطه. التعليمات مرفقة مع هذا الملحق.

يوفر نظام الحماية The Protector System™ معيار سلامة إضافي للأطفال الصغار أو الحيوانات - الذين قد يعلقون أسفل باب الجراج. فهو يستخدم الأشعة تحت الحمراء، عندما يكسرها عائق، يتسبب في فتح الباب الجاري إغلاقه ومنع الباب المفتوح من الإغلاق ويوصى به بشده لملاك المنازل الذين لديهم أطفال صغار.



تمكين نظام الحماية:

• قم بتوصيل أسلاك شعاع IR بجهاز فتح الباب وشغله. (سيتم تمكين نظام الحماية تلقائيًا عند توصيلها وسيعمل الآن في وضع الفشل الآمن).

تعطيل نظام الحماية:

- إذا تم تركيب نظام الحماية وتحتاج إلى إزالته، ستحتاج إلى إعادة برمجة جهاز فتح الباب. قم بإجراء تتابع التشغيل/الإيقاف كالتالي:
- أزل أسلاك IR من جهاز فتح الباب.
 - افصل مقبس التيار لمدة 5 ثوان.
 - شغل التيار لمدة 5 ثوان.
 - افصل التيار لمدة 5 ثوان.
 - شغل التيار مرة أخرى وتحقق من أن جهاز فتح الباب يعمل بشكل جيد بدون أشعة IR.

الأمان أولاً!

في حين أن تشامبرلين (Chamberlain) صممت مزايا السلامة في جهاز فتح باب الجراج، ندعوكم إلى النظر في تركيب أشعة IR لجهاز فتح باب الجراج الجديد. هذه الأجهزة هي الزامية في العديد من البلدان للمساعدة في الحد من الإصابة الخطيرة أو تلف الممتلكات. ولراحة بالك وسلامة الآخرين، يرجى تركيب جهاز السلامة هذا والذي لن يكلفك إلا القليل.



ميزة مؤقت الإغلاق (TTC)

الإغلاق الأوتوماتيكي غير موصى به للمنازل التي يوجد بها أطفال صغار.



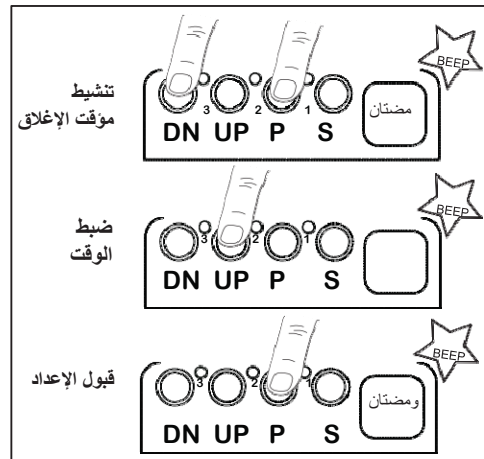
ميزة مؤقت الإغلاق: (TCC) من 10 إلى 180 ثانية.

ملاحظة: يجب تركيب أشعة IR قبل تشغيل ميزة TTC.

تسمح ميزة مؤقت الإغلاق للباب بالإغلاق تلقائيًا بعد فترة محددة من الوقت. سيومض ضوء فتحة الباب باستمرار، خلال فترة الانتظار المحددة للباب المفتوح. إذا واجه الباب عائق أثناء الإغلاق، سيرتد جهاز فتح الباب إلى وضع الفتح وستبدأ فترة الانتظار من جديد.

لتنشيط مؤقت الإغلاق.

- ابدأ مع أشعة IR المثبتة والباب في وضع الإغلاق الكامل.
- اضغط مع الاستمرار على الأزرار "P" و "DN" لمدة 3 ثوان. عندما يومض ضوء فتحة الباب "مرتين"، حرر كلا الزرين.
- مطلوب ضغط "UP" لكل مسافة زمنية طولها 10 ثوان لمؤقت الإغلاق. سيسجل صوت "صغير" لكل ضغطة. زر "DN" سيقلل العدد إذا استلزم الأمر.
- اضغط وحرر زر "P" لقبول هذا الإعداد.
- لإلغاء تنشيط مؤقت الإغلاق.
- ابدأ في وضع الباب مغلق بالكامل.
- اضغط مع الاستمرار على الأزرار "P" و "DN" لمدة 3 ثوان. عندما يومض ضوء فتحة الباب "مرتين"، حرر كلا الزرين.
- اضغط وحرر زر "P" لقبول هذا الإعداد.



تحذير: الباب الأوتوماتيكي - قد يعمل الباب بشكل غير متوقع، ولذلك لا تسمح لأي شيء بالبقاء في مسار الباب.



17 تركيب زر الحائط اللاسلكي EV128

ملحق اختياري (غير متوفر مع المنتج)

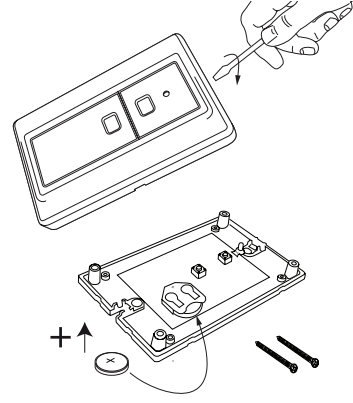


افصل التيار عن جهاز فتح الباب أثناء تركيب هذا الملحق لمنع التنشيط العرضي للباب. حدّد 1.5 م كحد أدنى من الأرضية

للتثبيت:

- افتح EV128 بعناية شديدة وحدّد موقع برغيي التثبيت.
- ثبته على الحائط باستخدام البرغيين والفيسرات المتوفرة مع المنتج إذا كنت تقوم بالتركيب على حائط من الجبس. إذا كنت تستخدم صندوق حائط مدفون لا تستخدم الفيسرات.

ملاحظة: لا تُبالغ في إحكام ربط البراغي.



ملاحظة: يجب أن يكون جهاز التحكم الجداري المتوفر مع المنتج مبرمج مسبقاً من قبل المصنع. إذا كنت ستضيف جهاز تحكم جداري جديد، قم ببرمجته في جهاز فتح الباب قبل تركيب الوحدة كما فصلنا في قسم "البرمجة اللاسلكية".

18 سرعة سفر الباب (اختياري)

توجد سرعتان لسفر الباب متوفرتان في هذا الطراز من جهاز فتح الباب. (السرعة البطيئة والعادية)

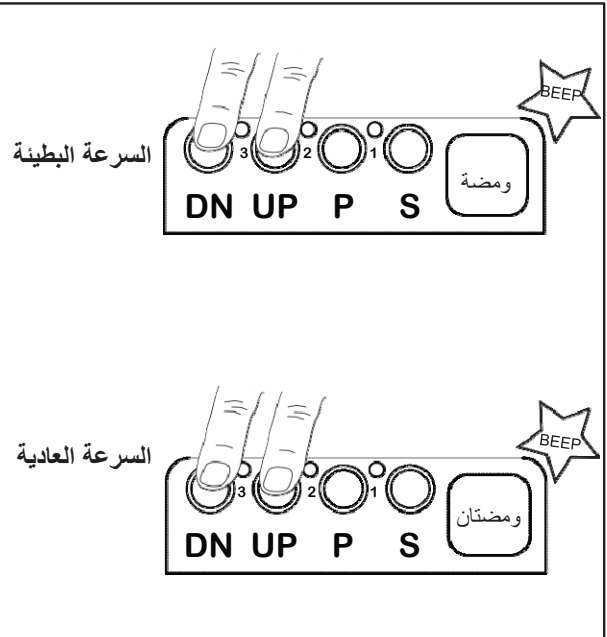
تم ضبط WeatherDrive LM555EV في مصنعنا على السرعة العادية.

ضبط السرعة البطيئة:

- ابدأ في وضع الباب مفتوح بالكامل.
- اضغط ما على الأزرار "UP" و"DN" لمدة 3 ثوان.
- هبومض ضوء فتحة الباب "مرة واحدة". حرر كلا الزرين.

للمعودة إلى السرعة العادية:

- ابدأ في وضع الباب مفتوح بالكامل.
- اضغط مع الاستمرار على الأزرار "UP" و"DN" لمدة 3 ثوان.
- سيومض ضوء فتحة الباب "مرتين". حرر كلا الزرين.



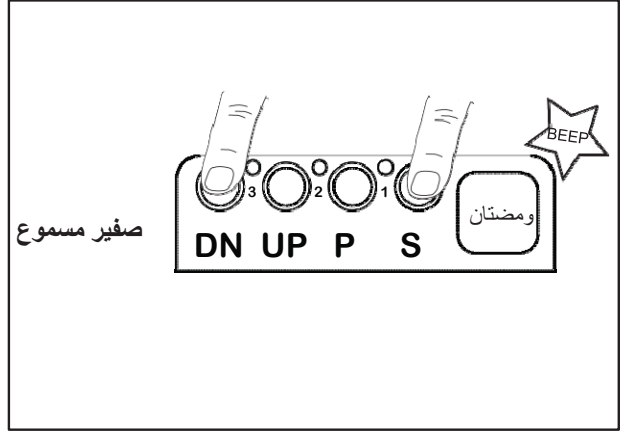
19 صفير مسموع (اختياري)

ضبط مٲ WeatherDrive LM555EV في رالى إصدع عمصنلا "صفير" مسموع.

يمكن إيقاف الصفير المسموع باستخدام الطريقة التالية.

- ابدأ في وضع الباب مغلق بالكامل.
- اضغط مع الاستمرار على الأزرار "S" و"DN" لمدة 3 ثوان.
- سيومض ضوء فتحة الباب "مرتين". حرّز الأزرار.

لتشغيل الصفير المسموع مرة أخرى، ببساطة كرّر العملية المذكورة أعلاه.



20 القفل الإلكتروني للوحة التحكم (اختياري)

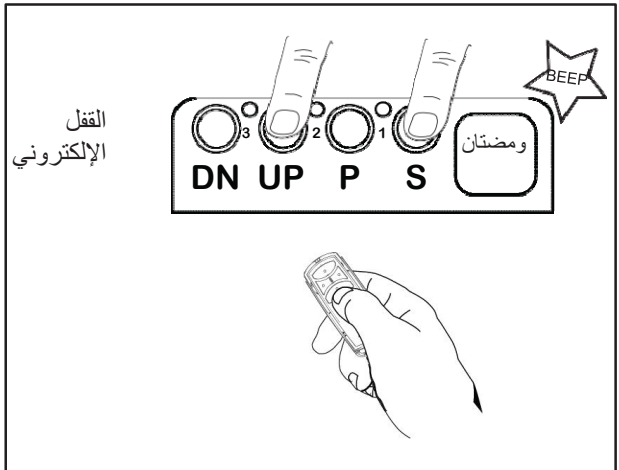
تم ضبط WeatherDrive LM555EV في لمصلاء عنى إلغاء قفل أزرار لوحة التحكم.

بعد إتمام جميع عمليات التثبيت والبرمجة، يمكن قفل أزرار لوحة التحكم، وستبقى جميع أجهزة الإرسال والمرمّز نشطة.

لقفل لوحة التحكم:

- ابدأ في وضع الباب مفتوح بالكامل.
- اضغط مع الاستمرار على الأزرار "S" و"UP" لمدة 3 ثوان، مع الضغط على مرسل مرمر مسبقاً.
- سيومض ضوء فتحة الباب "مرتين". حرّز جميع الأزرار.
- لوحة التحكم الآن مقللة، وضغط أي زر سيسمح فقط بتشغيل ضوء فتحة الباب. تبقى أجهزة الإرسال نشطة.

لإعادة تشغيل لوحة التحكم مرة أخرى، ببساطة كرّر العملية المذكورة أعلاه باستخدام أي مستقبِل مرمر مسبقاً.



21 ميزة الفتح الجزئي (PET)

هذه بمثابة محطة إيقاف ثانية قابلة للتعديل ومناسبة للتهوية أو المشاة على الأقدام أو الحيوانات الأليفة، مبرمجة للعمل من خلال جهاز التحكم عن بعد.
ملاحظة: لن تشغل أزرار الجدار اللاسلكية هذه الميزة.

لتنشيط هذه الميزة:

1. ابدأ في وضع الباب مغلق بالكامل (شكل 1). شغل الباب إلى أعلى وأوقفه عند الموضع المطلوب للوصول إلى ميزة الفتح الجزئي PET.

2. ادخل في وضع تنشيط PET بالضغط على الأزرار P و UP معاً لمدة 3 ثوان (شكل 2). حرر الزرين عندما يومض ضوء فتحة الباب مرة واحدة.

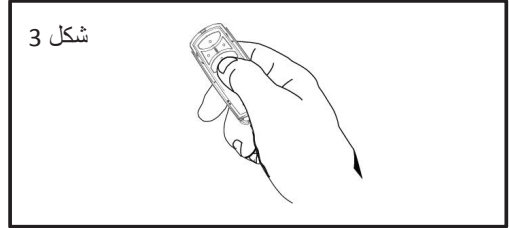
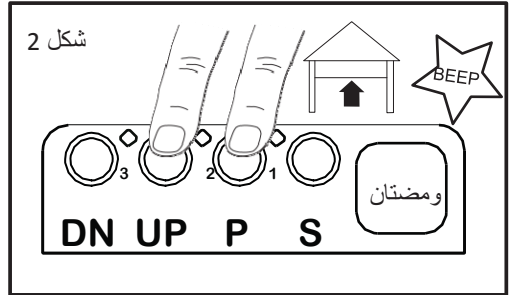
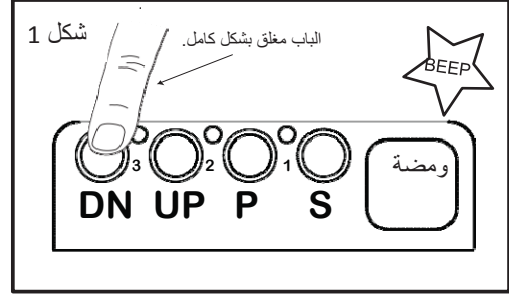
3. اضغط على زر التحكم عن بُعد الذي خصصته لهذه الميزة (شكل 3). لا تستخدم الزر الذي تم تخصيصه بالفعل للتنشيط العادي. سيومض ضوء فتحة الباب مرة واحدة عند قبول الرمز.

سيعمل جهاز التحكم عن بُعد حالياً إلى ومن الوضع "المبرمج عليه" و"وضع الإغلاق الكامل". وخارج هذا النطاق، ستعمل وحدة التحكم عن بُعد في وضع التنشيط العادي.

لإلغاء تنشيط هذه الميزة:

1. ابدأ في وضع الباب مغلق بالكامل.

2. ادخل في وضع تنشيط PET بالضغط على الأزرار P و UP معاً لمدة 3 ثوان (شكل 2). سيومض ضوء فتحة الباب مرتين، مشيراً إلى أن إلغاء التنشيط قد تم.





شغل جهاز فتح الباب فقط عندما يكون الباب مرئيًا بشكل كامل وخالي من العوائق وتم ضبطه بشكل صحيح. يجب ألا يدخل أو يغادر أحد الجراج عندما يكون الباب في وضع الحركة. لا تسمح للأطفال بالضغط على زر/أزرار التشغيل أو جهاز التحكم عن بعد. لا تسمح للأطفال باللعب قريبًا من الباب.

ملاحظة: تمت برمجة جهاز (أجهزة) الإرسال المتوفر مع المنتج مسبقًا من قبل المصنع.

إذا اشترت أجهزة إرسال إضافية، يجب أن تتم برمجة جهاز فتح باب الجراج لقبول الكود البعيد الجديد.

برمج المستقبل ليتطابق مع أكواد جهاز الإرسال الإضافية.

استخدام زر الحفظ "S"

1. اضغط مع الاستمرار على الزر الموجود في جهاز التحكم عن بُعد المحمول باليد أو زر التحكم الموجود بالحائط الذي ترغب استعماله (1).
2. اضغط وحرّر زر "S" الموجود في جهاز فتح الباب (2).
3. عندما يومض ضوء فتحة الباب 3 مرات، حرّر زر جهاز التحكم عن بُعد. فهو قد تعلم الكود. إذا قمت بتحرير زر الدفع الموجود في جهاز التحكم عن بُعد قبل أن يومض مصباح جهاز فتح الباب، فلن يتعلم جهاز فتح الباب الكود.

الآن سيعمل جهاز فتح الباب عند الضغط على زر الدفع الموجود في جهاز التحكم عن بُعد.

حذف كافة أكواد جهاز التحكم عن بُعد

1. اضغط مع الاستمرار على زر "S" الموجود في جهاز فتح الباب حتى يومض ضوء فتحة الباب مرتين، واستمر في الضغط لمدة 8 ثوان تقريبًا، حتى يومض ضوء فتحة الباب مرتين مرة أخرى.

2. حرّر الزر، الآن تم مسح جميع الأكواد.

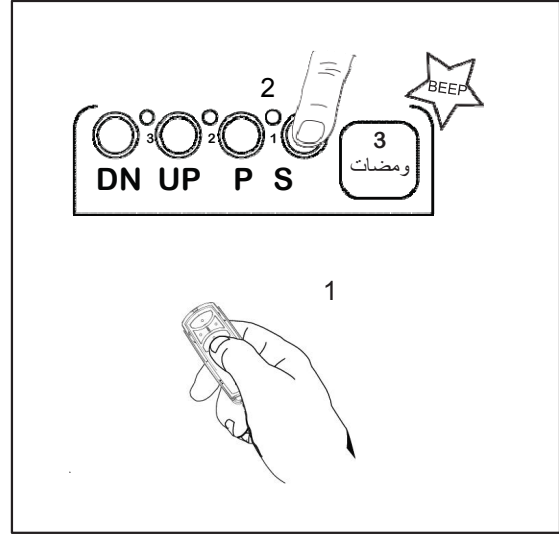
لوحة المفاتيح اللاسلكية EV747

لضبط رمز PIN لجهاز الدخول بدون مفاتيح:

1. حدّد زر "S" الموجود في جهاز فتح باب الجراج.
2. اضغط وحرّر زر "S". سيومض ضوء فتحة الباب مرتين.
3. أدخل رقم تعريفي شخصي مكوّن من 4 أرقام (PIN) من اختيارك على لوحة المفاتيح.
4. اضغط مع الاستمرار على زر ENTER. تحقق لمعرفة إذا ما كان ضوء فتحة الباب يومض. حرّر زر ENTER بعد أن يومض الضوء.

لتغيير رمز PIN موجود بجهاز الدخول بدون مفاتيح:

1. أدخل رمز PIN الحالي المبرمج الذي تريد تغييره.
2. اضغط مع الاستمرار على زر # حتى يومض ضوء فتحة الباب مرتين.
3. أدخل رمز PIN مكوّن من 4 أرقام من اختيارك، ثم اضغط على زر ENTER. سيومض الضوء مرة واحدة.
4. للاختبار، أدخل رمز PIN الجديد، ثم اضغط على زر ENTER. سيؤدي ذلك إلى تنشيط جهاز فتح باب الجراج.



1

●

حدّد مكان زر الحفظ "S" الأصفر

2

●

اضغط وحرّر زر الحفظ "S" الأصفر

3

●

أدخل رقم تعريفي شخصي (PIN) مكوّن من 4 أرقام من اختيارك ؟ ؟ ؟ ؟

4

●

اضغط مع الاستمرار على زر ENTER ستومض أضواء جهاز فتح الباب

●

حرّر زر ENTER بعد أن تومض الأضواء

العناية بجهاز فتح الباب

عندما يتم تثبيته، سوف يوفر لك جهاز فتح الباب أدنى حد من الصيانة. لا يحتاج جهاز فتح الباب إلى تشحيم إضافي.

إعدادات حدود أشواط الباب والعزم: يجب فحص هذه الإعدادات وتعيينها بشكل صحيح عند تركيب جهاز فتح الباب. قد تسبب الظروف الجوية بعض التغييرات الطفيفة في تشغيل الباب، تحتاج إلى بعضاً من إعادة الضبط، وخصوصاً خلال السنة الأولى من التشغيل. راجع إعدادات حدود أشواط الباب والقوة في القسم 14.

اتبع التعليمات بحرص وكرر اختبار انعكاس الاتجاه للأمان بعد إجراء أي تعديل.

جهاز الإرسال: تستطيع شراء جهاز الإرسال إضافية في أي وقت. راجع الملحقات. يجب أن يتم برمجة أي أجهزة إرسال جديدة في جهاز فتح الباب.

بطارية جهاز الإرسال: إذا قلَّ مدى الإرسال، استبدل البطارية.

تشغيل جهاز فتح الباب

تستطيع تشغيل جهاز فتح الباب بأي من الطرق التالية:

• لوحة تحكُّم جهاز فتح الباب: أزرار "أعلى" و"أسفل"

• جهاز إرسال التحكم عن بُعد: استمر في الضغط على الزر حتى يبدأ الباب في الحركة.

• مفتاح التبديل الخارجي أو نظام الدخول عديم المفاتيح (إذا كنت قد قمت بتركيب أي من هذه الملحقات).

• جهاز الإرسال أو لوحة التحكم الجدارية اللاسلكية (EV128) استمر في الضغط على الزر حتى يبدأ الباب في الحركة.

عندما يكون جهاز فتح الباب قيد التشغيل:

- إذا كان الباب مفتوحاً، سيُغلق. إذا كان الباب مغلقاً، سيفتح.
- إذا كان الباب جاري إغلاقه فسيتوقف.
- إذا كان الباب جاري فتحه، سيتوقف (بحيث يترك مسافة تسمح بدخول الحيوانات الأليفة والهواء المتجدد).
- إذا كان الباب كان متوقفاً في وضع مفتوح أو مغلق جزئياً، سيعكس الاتجاه.

سلوك الباب عندما يواجه عائق:

- إذا اعترض مسار الباب عائق أثناء الإغلاق، سيعكس اتجاهه.
- إذا اعترض مسار الباب عائق أثناء الفتح، سيعكس اتجاهه ويتوقف.
- يستخدم نظام الحماية Protector System™ الاختباري شعاع غير مرئي، عندما يكسره عائق، يتسبب في فتح الباب الجاري إغلاقه ومنع الباب المفتوح من الإغلاق. يوصى به بشدة لأصحاب المنازل الذين لديهم أطفال صغار.

فتح الباب يدوياً:

يجب أن يكون الباب مغلقاً بشكل كامل إن أمكن ذلك. قد تسمح الزنبركات المكسورة أو الضعيفة بسقوط الباب بسرعة. قد ينتج عن ذلك ضرر أو إصابات شخصية بالغة.

يمكن فتح الباب يدوياً من خلال سحب حبل التحرير إلى أسفل بشدة. لإعادة تشغيل الباب، اسحب حبل التحرير بشدة.

سوف تضيء أضواء جهاز فتح الباب لمدة 3 دقائق عند تنشيط جهاز فتح الباب.

الاستخدام المخصص له المنتج:
لجراجات الوحدات السكنية المفردة

صيانة جهاز فتح الباب

مرة في الشهر:

- كرر اختبار الأمان العكسي.
- قم بعمل أي تعديلات ضرورية (القسم 13).
- شغّل الباب يدوياً. إذا كان غير متوازن أو محشور، اتصل بمختص في صيانة أبواب الجراجات.
- تأكد أن الباب يُغلق ويفتح بشكل كامل. قم بتعيين حدود أشواط الباب و/أو العزم إذا كان ذلك ضرورياً.

صفات المود LM555EV

فولطية المدخل:	230-240 فولت تيار متردد، 50/60 هرتز، 120 وات
الحمل المقرر:	32 نيوتن متر
قوة السحب القصوى:	500 نيوتن @ 0.300 مم
أقصى وزن للباب:	120 كجم أقصى رفع تحت توتر الزنبركات: 15 كجم
أقصى مساحة للباب:	15 م ²
استهلاك الطاقة: تقييم الحماية الدولي (IP):	
استهلاك الطاقة:	4 وات تقريباً
تقييم IP:	IP34
المشغل:	محرك تيار مستمر ذو تروس دائم التشحيم
أقصى عدد دورات للأسطوانة: 1/2 5	
سجلات الذاكرة: تردد التشغيل: درجة حرارة التشغيل:	
سجلات الذاكرة:	64
تردد التشغيل:	868/434.54/433.92/433.30
ميغا هرتز	
درجة حرارة التشغيل:	55 درجة مئوية إلى -25 درجة مئوية

ملاحظة خاصة: توصي Liftmaster بشدة بتركيب نظام الحماية Protector System™ على جميع أجهزة فتح أبواب الجراجات.

23 ملحقات اختيارية

5. طراز EV1702 التحرير الخارجي السريع

6. طراز EV771 أشعة IR

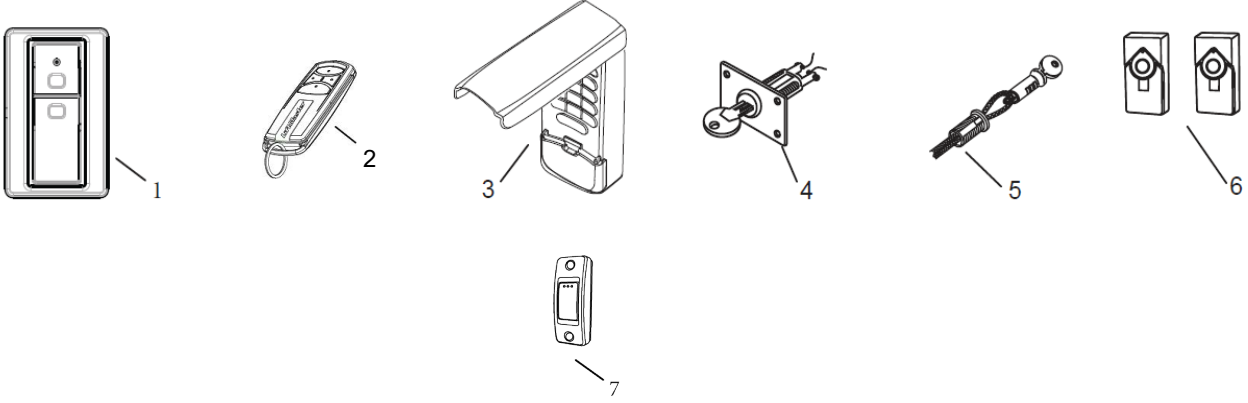
7. طراز EV75 ضغط سلك

1. طراز EV128 زر جداري لاسلكي ثنائي القنوات

2. طراز TX4UNI جهاز إرسال رباعي القنوات

3. طراز EV747 نظام الدخول بدون مفتاح

4. طراز EV760 مفتاح التبديل الخارجي

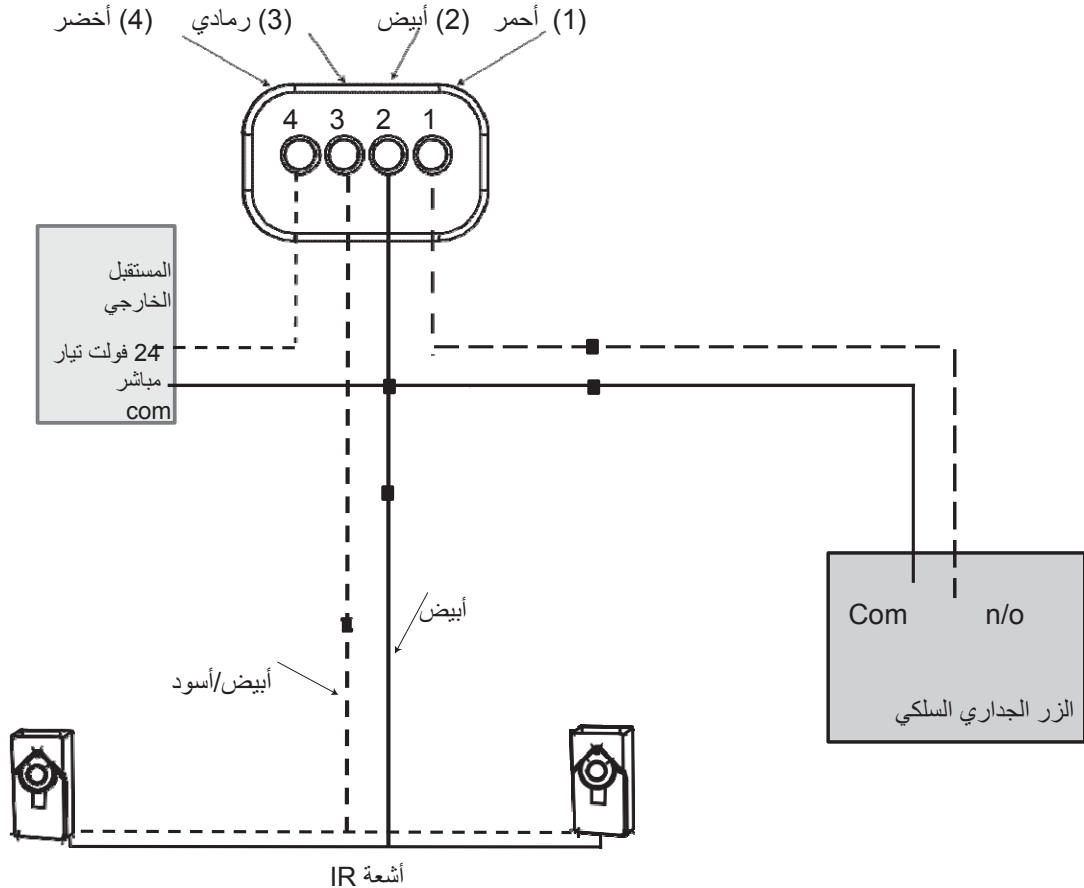


ملاحظة: ملحقات Liftmaster الأصلية هي الوحيدة المعتمدة للاستخدام مع جهاز فتح الباب هذا. الملحقات المتوافقة بشكل عام غير معتمدة للاستخدام مع جهاز فتح الباب هذا.

24 وصيلا يوضيحتا لمخططا لجهاز يانموذج WEATHERDRIVE LM55EV

معلومات لموظفي الصيانة

ملاحظة: واصلة الطرف الصندوقي محمية من ظروف الطقس بجوان مطاوي. عند استخدام أسلاك خارجية، يمكن ثقب ثقب الكابل بواسطة مفك براغي صغير. يجب أن يتم سد هذه الثقوب جيداً بالسيليكون للمحافظة على تقييمها المضاد لظروف الطقس.



حل المشكلات

1. **جهاز فتح الباب لا يعمل من خلال أي من أزرار التنشيط أعلى/أسفل أو أجهزة الإرسال:**
 - هل جهاز فتح الباب متصل بالتيار الكهربائي؟ أدخل قابس مصباح كهربائي في منفذ التيار. إذا لم يعمل، تحقق من صندوق الصهيرة (الفيوز).
 - هل قمت بتعطيل كافة أقفال الباب؟ راجع تحذيرات تعليمات التركيب في صفحة 3.
 - هل يوجد تعزيز من الثلج أو الجليد تحت الباب؟ قد يكون الباب عالق في الأرضية. أزل أي عوائق.
 - قد تكون زنبركات باب الجراج مكسورة. استبدلها.
2. **يعمل جهاز فتح الباب بواسطة جهاز الإرسال ولكن لا يعمل من نهايات التحكم السلكية الجدارية:**
 - هل توصيلات الأسلاك صحيحة؟
3. **يعمل الباب بواسطة أزرار التنشيط أعلى/أسفل ولكن لا يعمل من لوحة التحكم اللاسلكية الجدارية أو جهاز الإرسال:**
 - برمج جهاز فتح الباب ليتوافق مع رمز جهاز الإرسال. كرر باستخدام كل أجهزة الإرسال.
4. **جهاز الإرسال مداه قصير:**
 - قم بتغيير موقع جهاز الإرسال في سيارتك.
 - تحقق أن الهوائي الموجود في أسفل جهاز فتح الباب يمتد إلى أسفل بشكل كامل.
 - بعض التركيبات مداها قصير وذلك بسبب وجود باب معدني أو عازل مدعم من ورق القصدير أو جوانب الجراج المعدنية.
5. **يفتح باب الجراج ويغلق لوحده:**
 - تأكد أن كافة أزرار جهاز الإرسال في وضع إيقاف.
 - إذا كانت نهايات التحكم السلكية الجدارية قد تم تركيبها، قم بإزالة سلك الجرس من أطراف لوحة التحكم السلكية الجدارية وشغل بواسطة زر التشغيل أو بواسطة جهاز الإرسال. إذا حل هذا الإجراء المشكلة، إذن لوحة التحكم السلكية الجدارية بها عطل (يرجى استبدالها)، أو يوجد تقطيع أو قصر في السلك فيما بين لوحة التحكم السلكية الجدارية وجهاز فتح الباب.
 - أفرغ الذاكرة وأعد برمجة كافة أجهزة التحكم اللاسلكية الجدارية وأجهزة الإرسال.
6. **يرتد الباب ويتوقف قبل أن يفتح بشكل كامل:**
 - هل هناك شيء يعترض طريق الباب؟ هل الباب غير متوازن أو هناك زنبركات مكسورة؟ أزل العائق أو أصلح الباب.
7. **يعكس الباب اتجاهه بدون سبب ظاهر وأضواء جهاز فتح الباب تومض 10 مرات:**
 - تحقق من نظام الحماية The Protector System™ (إذا كنت قد قمت بتركيب هذا الملحقات). إذا كان الضوء الأحمر في الشعاع لا يومض، فتكون المحاذات غير صحيحة.
 - قد لا يكون الضوء الأحمر في الأشعة في وضع تشغيل إذا كان جهاز فتح الباب في وضع الاستعداد. قم بتنشيط الباب للخروج مؤقتاً من وضع الاستعداد وتحقق من ثبات الأضواء بشكل مستمر. إذا كانت مصابيح LED تومض، أعد محاذاة الأشعة.
8. **الباب يفتح لكنه لا يغلق أو يرتد أثناء الإغلاق (راجع النقطة 7 كذلك):**
 - هل هناك شيء يعترض طريق الباب؟ اسحب مقبض التحرير اليدوي. شغل الباب يدوياً. إذا كان غير متوازن أو محشور، اتصل بمتخصص في أنظمة الأبواب.
 - أزل أي ثلج أو جليد من منطقة باب الجراج التي يغلق فيها الباب.
 - كرر إعدادات الحدود والعزم. كرر اختبار الأمان العكسي بعد عمل التعديلات.

9. جهاز فتح الباب يبذل مجهوداً لتشغيل الباب:

- قد يكون الباب غير متوازن أو قد تكون زنبركات الباب مكسورة. أغلق الباب واستخدم التحرير اليدوي لفصل الباب. افتح وأغلق الباب يدوياً. إن الباب المتوازن بشكل صحيح سيفتح في أي نقطة أثناء حركته بينما يكون مدعوماً بالكامل بواسطة زنبركاته. إذا كان غير ذلك، افصل جهاز فتح الباب واتصل بمتخصص في أنظمة الأبواب.

10. يصدر المحرك صوت طنين قصير ثم لا يعمل:

- تأكد أن الباب ليس في وضع التحرير اليدوي (راجع القسم 8).
- قد تكون زنبركات الباب مكسورة. انظر أعلاه.
- إذا حدثت المشكلة في أول عملية تشغيل لجهاز فتح الباب، قد يكون الباب مقفولاً. قم بتعطيل أي أقفال بالباب.

11. لا يعمل جهاز فتح الباب بسبب انقطاع التيار:

- استخدم مقبض التحرير اليدوي لفصل الباب. يمكن فتح وإغلاق الباب يدوياً. عند عودة التيار، أعد تشغيل جهاز فتح الباب.

12. مؤشرات LED الموجودة في لوحة التحكم تومض بشكل متتابع:

- تحقق من الرمز التشخيصي في الصفحة التالية.

13. استبدال بطاريات أجهزة التحكم عن بُعد:

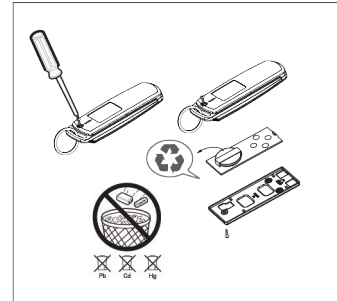
لمنع الإصابة الشديدة أو الموت:

- لا تسمح للأطفال الصغار بالاقتراب من البطاريات أبداً.

- إذا ابتلع الأطفال البطارية، أبلغ الطبيب في الحال.

لاستبدال بطاريات جهاز TX4UNI الاختباري، اقلب جهاز التحكم عن بُعد وافتح الغطاء بمفك براغي. ارفع الغطاء وارفع لوحة التحكم الموجودة أسفله. أدخل البطارية في أحد الجوانب وأزل القديمة. لاحظ قطبية البطارية!

جمّع الجهاز مرة أخرى من خلال عكس الخطوات.



25 المخطط التشخيصي

تمت برمجة جهاز فتح باب جراجك مع إمكانيات التشخيص الذاتي. ستومض مؤشرات LED أرقام 1 و 2 الموجودة على لوحة التحكم عددًا من المرات مشيرةً إلى وجود رمز خاطئ.

الرمز التشخيصي	الأعراض	الحل الممكن	LED 3	LED 1
1	جهاز فتح باب الجراج لا يغلق وضوء فتحة الباب يومض.	لم يتم تركيب مستشعرات الأمان بشكل صحيح أو قد تكون الأسلاك مقطوعة. افحص أسلاك المستشعر بحثًا عن فصل أو قطع في السلك.	1	1
2	جهاز فتح باب الجراج لا يغلق وضوء فتحة الباب يومض.	يوجد توصيلة سلك مقصرة أو معكوسة من توصيلات مستشعرات الأمان. افحص أسلاك مستشعر الأمان في جميع النقاط المستقرة ونقاط التوصيل واستبدل الأسلاك أو صحّح التوصيلات حسب الحاجة.	2	1
3	جهاز التحكم في الباب لا يعمل.	يوجد قصر في أسلاك جهاز التحكم في الباب أو أنه به خطأ. افحص أسلاك مستشعر الأمان في جميع النقاط المستقرة ونقاط التوصيل واستبدل الأسلاك أو صحّح التوصيلات حسب الحاجة.	3	1
4	جهاز فتح باب الجراج لا يغلق وضوء فتحة الباب يومض.	مستشعرات الأمان غير محاذاة أو اعترضها أي عائق. أعد محاذاة كلا المستشعرين للتأكد أن كلا مؤشري LED ثابتًا ولا يومض. تأكد من عدم وجود أي شيء متدلي أو مثبتًا على الباب بحيث يعترض مسار المستشعرات عند الإغلاق.	4	1
5	الباب لا يتحرك أو المحرك يتسارع قبل التوقف بشكل مفاجئ.	لم يتم الكشف عن أي نبضات RPM. افحص الباب يدويًا بحثًا عن عدم توازن أو حشر أو عوائق تعترضه. داخليًا قد يكون السبب المحتمل هو المحرك أو لوحة النظام أو مستشعر RPM. جرّب إعادة تعيين حدود أشواط الباب. اتصل بمركز الخدمة.	5	1
1	جهاز فتح الباب فشل في التشغيل.	فشل محتمل في ذاكرة PCB. أعد تشغيل جهاز فتح الباب عن طريق فصل التيار الرئيسي لمدة 15 ثانية ثم توصيله. أعد برمجة حدود أشواط الباب وإعدادات العزم. اتصل بمركز الخدمة.	1	2
2	جهاز فتح الباب فشل في التشغيل.	فشل محتمل في فولتية PCB. أعد تشغيل جهاز فتح الباب عن طريق فصل التيار الرئيسي لمدة 15 ثانية ثم توصيله. أعد برمجة حدود أشواط الباب وإعدادات العزم. اتصل بمركز الخدمة.	2	2
4	جهاز فتح الباب فشل في التشغيل من خلال أجهزة التحكم عن بُعد.	فشل محتمل في المستقبل. أعد تشغيل جهاز فتح الباب عن طريق فصل التيار الرئيسي لمدة 15 ثانية ثم توصيله. أعد ترميز أجهزة الإرسال. اتصل بمركز الخدمة.	4	2
1	الباب يتحرك إلى أسفل ويتوقف ويعكس اتجاهه.	افتح وأغلق الباب يدويًا. تحقق من عدم وجود حشر أو عوائق، على سبيل المثال زنبرك مكسور أو قفل للباب. إذا كان الباب يعلق أو ينحسر، اتصل بفني متخصص في أنظمة الأبواب. إذا كان الباب لا يعلق ولا ينحسر، أعد ضبط الحدود (راجع قسم "برمجة حدود حركة أشواط الباب والعزم").	1	4
2	الباب يتحرك إلى أعلى ويتوقف ويعكس اتجاهه.	افتح وأغلق الباب يدويًا. تحقق من عدم وجود حشر أو عوائق، على سبيل المثال زنبرك مكسور أو قفل للباب. إذا كان الباب يعلق أو ينحسر، اتصل بفني متخصص في أنظمة الأبواب. إذا كان الباب لا يعلق ولا ينحسر، أعد ضبط الحدود (راجع قسم "برمجة حدود حركة أشواط الباب والعزم").	2	4