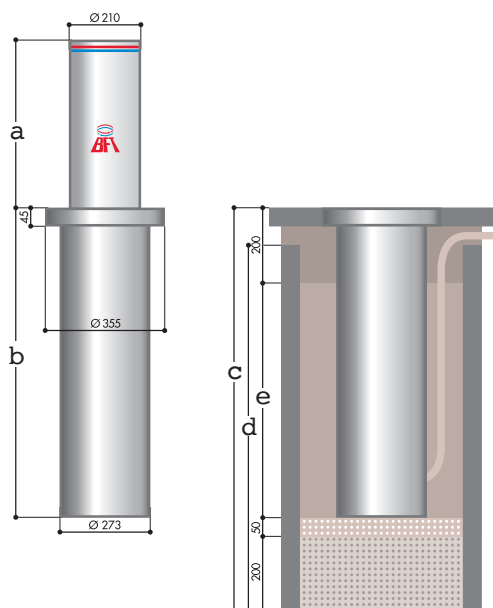


Dimensions



	A	B	C	D	E
STOPPY	500 mm	915 mm	1100 mm	1000 mm	650 mm
STOPPY H	500 mm	915 mm	1100 mm	1250 mm	650 mm

Technical features

	STOPPY	STOPPY H
Control unit	PERSEO 2	
Power supply	230V	230V
Power input	270W	270W
Opening or closing time	6 + slowdownsec.	9 + slowdownsec.
Type of limit switch	REED magnetic sensor	REED magnetic sensor
Slowdown		
Thrust force	70kg	70kg
Max static load with rod raised	300kg	300kg
Max static load with rod lowered	15000kg	15000kg
Max dynamic load	100kg	100kg
Impact resistance	8000J	8000J
Locking	Electric brake	Electric brake
Manual cycle	reversible in the absence of voltage	reversible in the absence of voltage
Frequency of use	Very intensive	Very intensive
Environmental conditions	from -15(-25 in LAR version)°C to 60°C	
Actuator weight	90kg	110kg

PERSEO 2

Universal control panel for one or more 230V/600W operators



PERSEO 2 D113744 00002

- Application: control panel for 1 to 4 STOPPY and STOPPY H operators (in parallel)
- Board power supply: 230V single-phase
- Operators power supply: 230V single-phase 350W max each operator
- Main features: removable terminal blocks, adjustment controlled by potentiometers and fault signalling LEDs
- Main functions: automatic re-closing, separate opening and closing, preflashing, opening authorisation, warning lights mode setting
- Compatibility: PERSEO

Description

Complete range of hydraulic and fixed automatic bollards for the protection and safety of any spaces requiring controlled access.
 Ideal for installation in places of particular architectural interest such as town centres, where maximum reliability and long life are essential.



Built-in hydraulic unit for compactness, ease of installation where there are no underground oil pipes, and zero leakage along oil lines

Great stress resistance

Highly configurable operator, for installation always in line with the customer's requirements



Summary table

Code	Name	Voltage	Rod height	Rod diameter	Legend
P970054 00002	PILLAR	230V	600mm	275mm	A
P970056 00002	PILLAR F		600mm	275mm	A
P970056 00003	PILLAR F INOX		600mm	275mm	A
P970055 00002	PILLAR H	230V	800mm	275mm	A
P970057 00002	PILLAR H F		800mm	275mm	A
P970057 00003	PILLAR H F INOX		800mm	275mm	A
P970057 00003	PILLAR H INOX	230V	800mm	275mm	A
P970054 00003	PILLAR INOX	230V	600mm	275mm	A